

# ACCESSORIES



**POSITRONIC**<sup>TM</sup>  
GLOBAL *Connector* SOLUTIONS

LOOK FOR OUR  
NEW PRODUCTS!  
**NEW!**



Catalog C-007 Rev. D



### ABOUT US

Founded in 1966, Positronic Industries is a vertically integrated manufacturer of high quality interconnect products. Positronic has earned the worldwide reputation as a service oriented, quick-reaction, top quality connector supplier. We are committed to maintaining this reputation by continuous implementation of our **Complete Capability** concept.

### COMPLETE CAPABILITY

#### Design & Development

- Designs new connectors and modifies existing connectors to meet industry requirements
- Continuously conducts marketing studies to identify industry needs for new products
- Ongoing interest in unique connector designs

#### Tooling

- Tooling support for all manufacturing areas within company
- Provides 80% of new tooling, punch press dies, molds, jigs and fixtures used at Positronic factory locations worldwide

#### Machining

- Automatic screw machines produce finely crafted contacts and hardware for connector bodies
- Trained technicians operate machines from Tornos, Bechler and Brown & Sharpe

#### Molding

- Molds all plastic connector components such as insulators, hoods, angle brackets and more
- Overmold capability available

#### Plating

- Applies gold and other metal finishes to connector components to any required thickness
- Plating conforms to all military specifications

#### Quality Assurance

- Select factories certified to ISO 9001:2000, AS9100 Rev.B 2004 and ISO 14001 (Singapore)
- Maintains aggressive TQM program
- Able to test to IEC, EIA, UL, MIL-DTL-24308, MIL-DTL-28748, SAE AS 39029 and MIL-C-85049 requirements

#### Finished Stock Inventory

- Each main factory location maintains a large inventory of connector components and accessories
- Same day shipments available on many standard connector products
- Stocking agreements available for qualified customers

#### Worldwide Sales & Service

- One-on-one customer service
  - Factory sales
  - Factory direct local sales representatives
- World class web site
- Facilities located in USA, France, India, Puerto Rico, and Singapore.



Machining



Molding



Finished Stock Inventory

POSITRONIC IS AN ITAR REGISTERED COMPANY

Positronic Industries'  
**FEDERAL SUPPLY CODE (Cage Code)**  
 FOR MANUFACTURERS is **28198**

Products described within this catalog may be protected by one or more of the following US. patents:

#4,900,261 #5,255,580 #5,329,697  
 #6,260,268 #6,835,079 #7,115,002

Patented in Canada, 1992 Other Patents Pending

Unless otherwise specified, **dimensional tolerances** are:

- 1)  $\pm 0.001$  inches [0.03 mm] for male contact mating diameters.
- 2)  $\pm 0.003$  inches [0.08 mm] for contact termination diameters.
- 3)  $\pm 0.005$  inches [0.13 mm] for all other diameters.
- 4)  $\pm 0.015$  inches [0.38 mm] for all other dimensions.

Information in this catalog is proprietary to Positronic and its subsidiaries. Positronic believes the data contained herein to be reliable. Since the technical information is given free of charge, the user employs such information at his own discretion and risk. Positronic Industries assumes no responsibility for results obtained or damages incurred from use of such information in whole or in part.

Connector Excellence®, Positronic Industries, Inc.® and the P+ logo are also registered trademarks of Positronic Industries, Inc. Positronic Global Connector Solutions and its logo design are trademarks of Positronic Industries, Inc.

**This catalog should be accompanied by copies of Positronic's  
Special Application D-subminiature Connector Catalogs.  
Contact Technical Sales or your District Manager  
for copies of these catalogs as follows:**

**INDUSTRIAL AND MILITARY APPLICATION  
D-SUBMINIATURE CONNECTORS**



**Contact Technical  
Sales for details.**

**DUAL-PORT CONNECTORS**



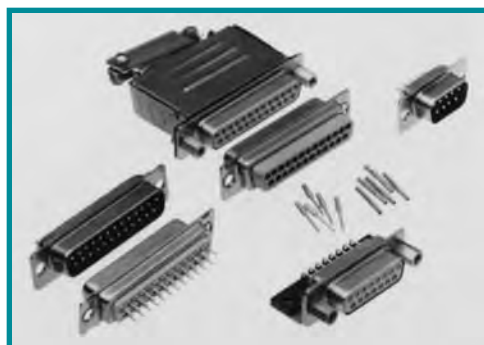
**ENVIRONMENTAL-D CONNECTORS**



**COMBO-D CONNECTORS**



**HIGH PERFORMANCE  
D-SUBMINIATURE CONNECTORS**





## B R A C K E T S

RIVETED ON RIGHT ANGLE (90°) MOUNTING BRACKETS, CODE R, R2, R3, R4, R5, R6, R7, AND R8 . . . . .	1
PUSH-ON FASTENERS FOR RIVETED ON RIGHT ANGLE (90°) MOUNTING BRACKETS, CODE N . . . . .	1
RIGHT ANGLE (90°) METAL MOUNTING BRACKETS , CODE B AND B3 . . . . .	2
RIGHT ANGLE (90°) METAL MOUNTING BRACKETS USED WITH RIVETED-ON BRACKET ASSEMBLIES, CODE R, R2, R3, R4, R5, R6, R7, AND R8 . . . . .	2
RIGHT ANGLE (90°) PLASTIC MOUNTING BRACKETS, CODE B7 AND B8 . . . . .	3
RIGHT ANGLE (90°) PLASTIC MOUNTING BRACKETS, CODE B9 AND B10 . . . . .	3
RIGHT ANGLE (90°) PLASTIC MOUNTING BRACKETS WITH CROSS BAR . . . . .	3
LOW PROFILE MOUNTING BRACKET . . . . .	4
CAPTIVE ALIGNMENT BARS . . . . .	4

## P O S T / S P A C E R S

SWAGED SPACERS, CODE S . . . . .	5
SWAGED SPACERS, CODE S2, S3, AND S4 . . . . .	5
SWAGED LOCKNUT, CODE S5 . . . . .	5
SWAGED SPACERS WITH PUSH-ON FASTENERS, CODE S6 . . . . .	5
THREADED POST, CODE P AND P2 . . . . .	6

## M O U N T I N G O P T I O N S


PANEL CUTOUTS . . . . .	7-8
MOUNTING OPTIONS , CODE 0, 02 AND F . . . . .	9

## M I S C E L L A N E O U S

FLARED SHELLS . . . . .	9
PROTECTIVE COVER . . . . .	10
INTERFACIAL SEAL . . . . .	10
BLIND MATING SYSTEM . . . . .	11
VIBRATION LOCKING SYSTEM - REAR PANEL MOUNT, CODE V5 . . . . .	12
VIBRATION LOCKING SYSTEM - FRONT PANEL MOUNT, CODE V3 AND VL . . . . .	12



H O O D S

LIGHTWEIGHT ALUMINUM HOOD. .... 	13
PLASTIC HOOD, CODE J AND L .....	13
SIZE 50 PLASTIC HOOD WITH ROTATING JACKSCREWS, CODE Y AND Y6 .....	14
SIZE 104 COMPOSITE HOOD WITH ROTATING JACKSCREWS, CODE Y AND Y6 .....	14
LOW PROFILE HOOD .....	15
PLASTIC HOODS , CODE W .....	16
PLASTIC HOODS WITH JACKSCREW SYSTEM, CODE WE, WE2, AND WE6 .....	16
COMPOSITE HOOD WITH ROTATING MALE JACKSCREWS, CODE Z .....	17
COMPOSITE HOOD WITH FIXED FEMALE JACKSCREWS, CODE Z4 .....	17
COMPOSITE HOOD WITH ROTATING MALE AND FEMALE JACKSCREWS, CODE Z6 .....	17
COMPOSITE HOOD WITH ROTATING FEMALE JACKSCREWS, CODE Z7 .....	17
EMI/RFI METAL HOODS (M) FOR SPACE APPLICATION D-SUBMINIATURE CONNECTORS .....	18
EMI/RFI METAL HOODS WITH ROTATING JACKSCREWS, CODE GE .....	19
EMI/RFI METAL HOODS WITH VIBRATION LOCK SYSTEM, CODE G AND GVL .....	20
EMI/RFI METAL HOODS .....	21
EMI/RFI ADAPTER, CODE GA .....	21
CRIMP FERRULE SYSTEMS .....	22
CABILIZED CONNECTORS .....	22
METAL HOOD SAE-AS85049/48, CODE H .....	23

F E R R I T E I N D U C T O R

FERRITE INDUCTOR BAR FOR EMI/RFI NOISE SUPPRESSION, CODE F AND Q .....	23
--	----

J A C K S C R E W S

JACKSCREW SYSTEM, CODE T, T2, T3, T4, T5, E, E2, E3 .....	24
POLARIZED JACKSCREW SYSTEMS, CODE T6, E6 .....	24

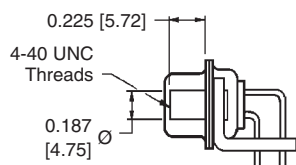


Positronic Industries  
connectpositronic.com

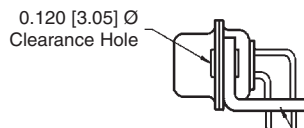
## RIVETED ON RIGHT ANGLE (90°) MOUNTING BRACKETS AND PUSH-ON FASTENERS

D-Sub  
Accessories

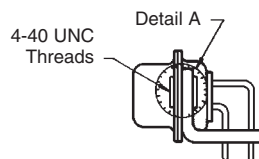
### RIVETED ON RIGHT ANGLE (90°) MOUNTING BRACKETS CODE R, R2, R3, R4, R5, R6, R7 AND R8



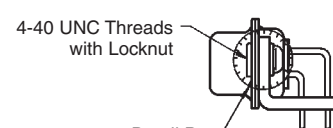
R/R2



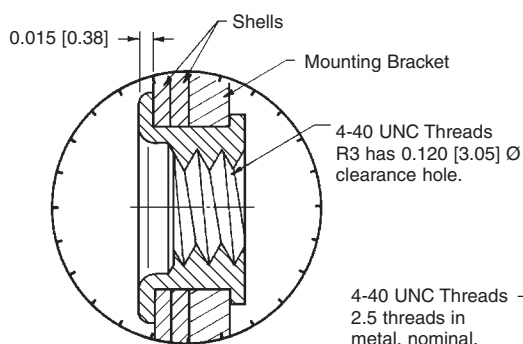
R3/R6



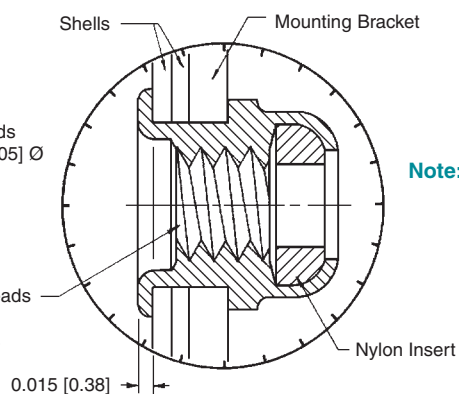
R4/R7



R5/R8



DETAIL A



DETAIL B

**Note:** Contact alignment bar is supplied with R2, R6, R7 and R8 options only.

**Material:** Copper alloy or steel with zinc plate and chromate seal or tin plate; stainless steel passivated.

### PUSH-ON FASTENER FOR RIVETED ON RIGHT ANGLE (90°) MOUNTING BRACKETS CODE N

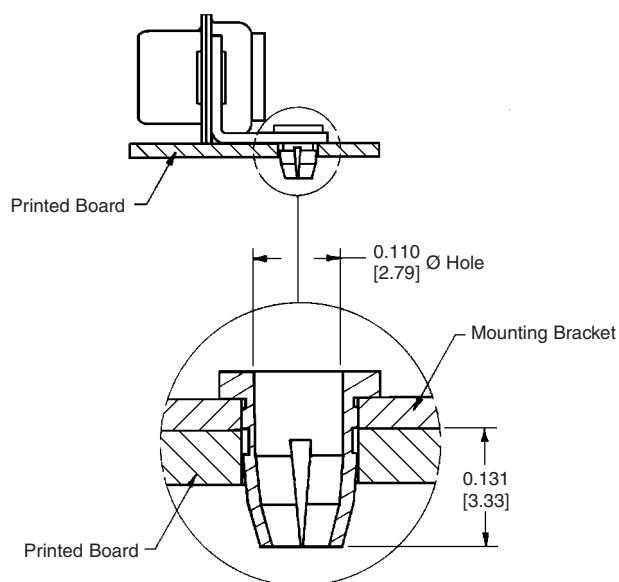


MD37M5R8N0X  
(shown left)

MD25F5R4NV3X  
(shown center)

MD15M5R4N00  
(shown right)

SAMPLE #	PRINTED BOARD HOLE Ø	INSERTION FORCE (LBS.)	RETENTION FORCE (LBS.)
1	0.120 [3.05]	7-1/4	5-3/4
2	0.123 [3.12]	5-3/4	5-1/2
3	0.125 [3.18]	2-3/4	2-1/2
4	0.128 [3.25]	1-3/4	2-1/4
5	0.126 [3.20] PLATED	1-3/4	2-1/4



Printed board mounting hole to be 0.123 [3.12] Ø ±0.003 for use with push-on fastener.

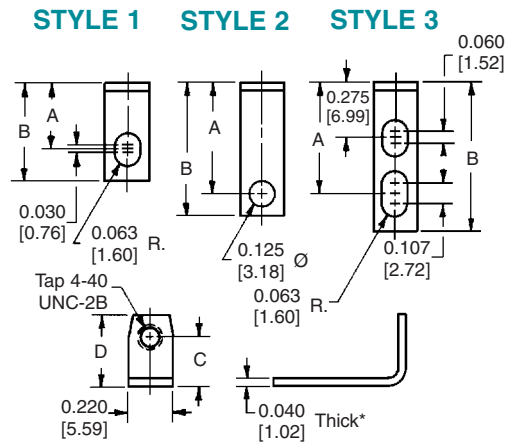
**Material:** Beryllium copper, tin plate.



RIGHT ANGLE (90°) METAL MOUNTING BRACKET  
CODE B AND B3

PART NO.	STYLE	A	B	C	D	SIZE	MD	MDX	ED	CBD	CBDD	HDC	DD	ODD
4535-1-0	2	0.491 [12.47]	0.608 [15.44]	0.246 [6.25]	0.358 [9.09]	9-37	4	4						
4535-2-0	1	0.324 [8.23]	0.484 [12.29]	0.244 [6.20]	0.358 [9.09]	9-37	5	5		5, 55, 57		5		
4535-3-0	1	0.380 [9.65]	0.594 [15.09]	0.303 [7.70]	0.417 [10.59]	50	5	5		5, 55, 57		5		
4535-4-0	2	0.547 [13.89]	0.664 [16.87]	0.303 [7.70]	0.414 [10.52]	50	4	4						
4535-5-0	3	0.554 [14.07]	0.739 [18.77]	0.244 [6.20]	0.358 [9.09]	9-37	59						4	5
4535-6-0	3	0.604 [15.34]	0.800 [20.32]	0.303 [7.70]	0.417 [10.59]	15-62	50	59					4	5
4535-8-0	2	0.405 [10.29]	0.522 [13.26]	0.246 [6.25]	0.358 [9.09]	9-37			42, 44, 52	7, 75, 77		42		
4535-9-0	2	0.455 [11.56]	0.572 [14.53]	0.246 [6.25]	0.358 [9.09]	50			42, 44, 52	7, 75, 77		42		
4535-32-0	2	0.399 [10.13]	0.516 [13.11]	0.246 [6.25]	0.358 [9.09]	15-62					4		4	
4535-33-0	2	0.399 [10.13]	0.516 [13.11]	0.303 [7.70]	0.414 [10.52]	78					4		4	
4535-61-0		0.514 [13.06]	0.631 [16.03]	0.334 [8.48]	0.457 [11.61]	104							4	
4535-62-0	2	0.614 [15.60]	0.731 [18.57]	0.334 [8.48]	0.445 [11.30]	104							4	5

NOTE: Sold only as part of a connector assembly.



\*0.062 [1.57] thick for Size 104 DD & ODD Series and CBD46W4 variant.

Material: Brass with zinc plate with chromate seal, or tin plate; stainless steel, passivated

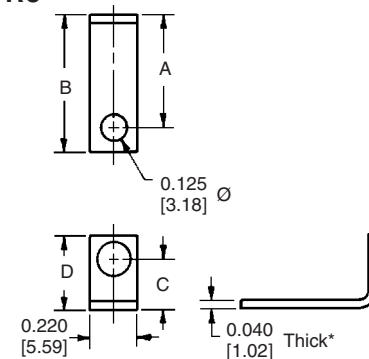
Note: Contact alignment bar is supplied with B3 option only.

RIGHT ANGLE (90°) METAL MOUNTING BRACKET USED WITH  
RIVETED-ON BRACKET ASSEMBLIES  
CODE R, R2, R3, R4, R5, R6, R7, AND R8

PART NO.	A	B	C	D	SIZE	MD	MDX	ED	CBD	CBDD	HDC	DD	PCD	ODD
4535-1-1	0.506 [12.85]	0.623 [15.82]	0.246 [6.25]	0.358 [9.09]	9-37	4	4							
4535-2-1	0.339 [8.61]	0.456 [11.58]	0.246 [6.25]	0.358 [9.09]	9-37	5	5		5, 55, 57		5		5	
4535-3-1	0.395 [10.03]	0.512 [13.00]	0.303 [7.70]	0.414 [10.52]	50	5	5		5, 55, 57		5		5	
4535-4-1	0.562 [14.27]	0.679 [17.25]	0.303 [7.70]	0.414 [10.52]	50	4	4							
4535-5-1	0.601 [15.27]	0.718 [18.24]	0.246 [6.25]	0.358 [9.09]	9-37	59					59			
4535-6-1	0.657 [16.69]	0.774 [19.66]	0.303 [7.70]	0.414 [10.52]	50	59					59			
4535-8-1	0.420 [10.67]	0.537 [13.64]	0.246 [6.25]	0.358 [9.09]	9-37			42, 44, 52	7, 75, 77		42			
4535-9-1	0.470 [11.94]	0.587 [14.91]	0.303 [7.70]	0.414 [10.52]	50			42, 44, 52	7, 75, 77		42			
4535-32-1	0.414 [10.52]	0.531 [13.49]	0.246 [6.25]	0.358 [9.09]	15-62					4			4	
4535-33-1	0.414 [10.52]	0.531 [13.49]	0.303 [7.70]	0.414 [10.52]	78					4			4	
4535-34-1	0.528 [13.41]	0.645 [16.38]	0.246 [6.25]	0.358 [9.09]	15-62					5		4	5	
4535-35-1	0.573 [14.55]	0.690 [17.53]	0.303 [7.70]	0.414 [10.52]	78					5		4	5	
4535-61-1	0.514 [13.06]	0.631 [16.03]	0.334 [8.48]	0.457 [11.61]	104								4	
4535-62-1	0.614 [15.60]	0.731 [18.57]	0.334 [8.48]	0.445 [11.30]	104					5		4	5	

NOTE: Sold only as part of a connector assembly.

Note: Contact alignment bar is supplied with R2, R6, R7 and R8 options only.



\*0.062 [1.57] thick for Size 104 DD & ODD Series and CBD46W4 variant.

Material: Brass with zinc plate with chromate seal, or tin plate; stainless steel, passivated



DIMENSIONS ARE IN INCHES [MILLIMETERS].  
ALL DIMENSIONS ARE SUBJECT TO CHANGE.

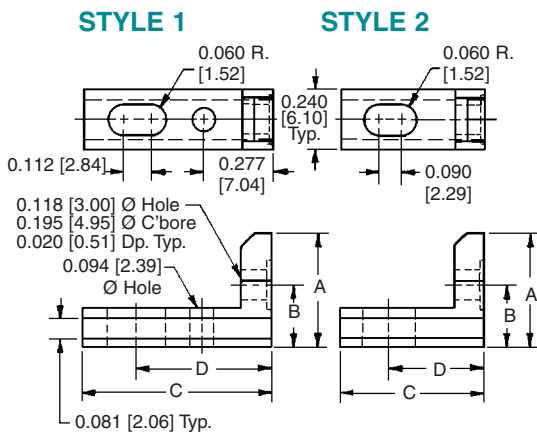


Positronic Industries  
connectpositronic.com

## RIGHT ANGLE (90°) PLASTIC MOUNTING BRACKETS

D-Sub  
Accessories

### RIGHT ANGLE (90°) PLASTIC MOUNTING BRACKET CODE B7 AND B8\*



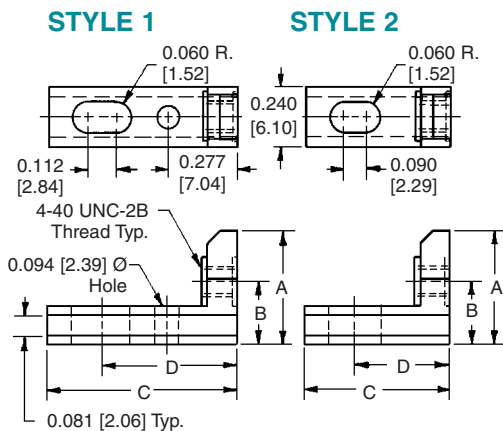
PART NO.	STYLE	A	B	C	D	SIZE	MD	MDX	ED	CBD	CBDD	HDC	DD	ODD
4544-6-0	1	0.450 [11.43]	0.244 [6.20]	0.740 [18.80]	0.544 [13.82]	9 - 37	4, 59	4						
4544-7-0		0.565 [14.35]	0.303 [7.70]	0.790 [20.07]	0.606 [15.39]	15 - 62	4, 59	4					4	5
4544-8-0	2	0.450 [11.43]	0.244 [6.20]	0.580 [14.73]	0.384 [9.75]	9 - 37	5	5	42, 52	5, 55, 57, 7, 75, 77	4	42, 5		4
4544-9-0		0.565 [14.35]	0.303 [7.70]	0.620 [15.75]	0.440 [11.18]	50	5	5	42, 52	5, 55, 57, 7, 75, 77	4	42, 5		4

**NOTE:** Sold only as part of a connector assembly.

Material: Nylon, black.

\*Cross bar supplied with B8 option.

### RIGHT ANGLE (90°) PLASTIC MOUNTING BRACKET WITH THREADED INSERT CODE B9 AND B10\*



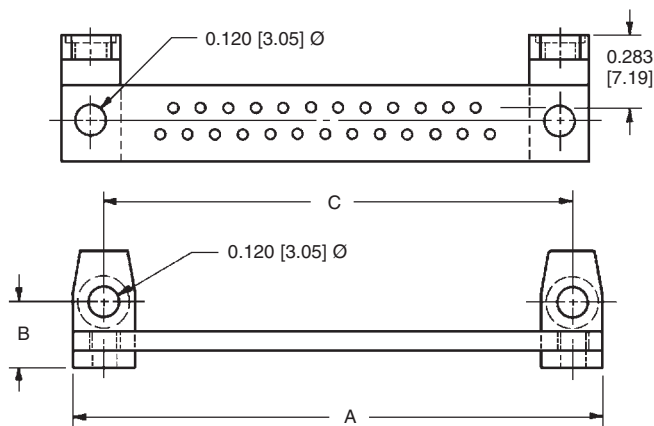
PART NO.	STYLE	A	B	C	D	SIZE	MD	MDX	ED	CBD	CBDD	HDC	DD	ODD
4544-6-1	1	0.450 [11.43]	0.244 [6.20]	0.740 [18.80]	0.544 [13.82]	9 - 37	4, 59	4						
4544-7-1		0.565 [14.35]	0.303 [7.70]	0.790 [20.07]	0.606 [15.39]	15 - 62	4, 59	4					4	5
4544-8-1	2	0.450 [11.43]	0.244 [6.20]	0.580 [14.73]	0.384 [9.75]	9 - 37	5	5	42, 52	5, 55, 57, 7, 75, 77	4	42, 5		4
4544-9-1		0.565 [14.35]	0.303 [7.70]	0.620 [15.75]	0.440 [11.18]	50	5	5	42, 52	5, 55, 57, 7, 75, 77	4	42, 5		4

**NOTE:** Sold only as part of a connector assembly.

Material: Nylon, black.

\*Cross bar supplied with B10 option.

### RIGHT ANGLE (90°) PLASTIC MOUNTING BRACKET WITH CROSS BAR SUPPLIED WITH STANDARD DENSITY MIL-DTL-24308/23 AND /24 CONNECTORS



PART NO.	A	B	C
4544-11-1	1.218 [30.94]	0.247 [6.27]	0.980 [24.89]
4544-11-2	1.546 [39.27]	0.247 [6.27]	1.312 [33.32]
4544-11-3	2.093 [53.16]	0.247 [6.27]	1.852 [47.04]
4544-11-4	2.734 [69.44]	0.247 [6.27]	2.500 [63.50]
4544-12-1	2.645 [67.18]	0.303 [7.70]	2.406 [61.11]

**NOTE:** Sold only as part of a connector assembly.

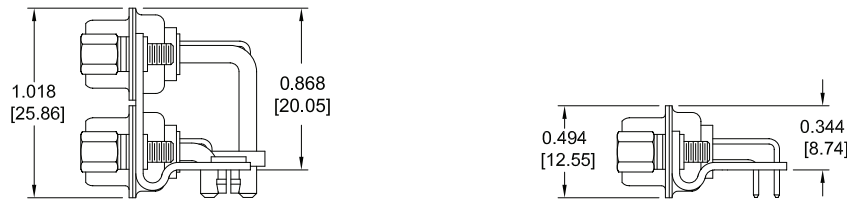
Material: Nylon, black.

May be supplied on special order with the MD, MDX and HD printed board mount connectors.



## LOW PROFILE MOUNTING BRACKET

Allows reduced distance from the top of the printed circuit board to the top of the connector compared to standard mounting brackets.



**Mounting bracket material:** Brass with zinc plate and chromate seal or tin plate.

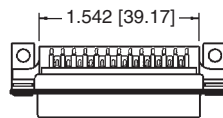
Contact Technical Sales for more information.

## CAPTIVE ALIGNMENT BARS FOR ROBOTIC "PICK AND PLACE" APPLICATIONS

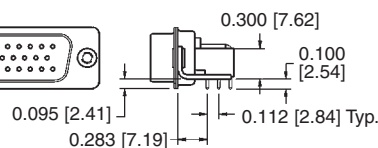
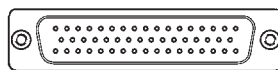
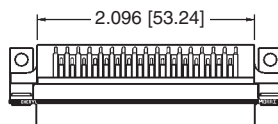
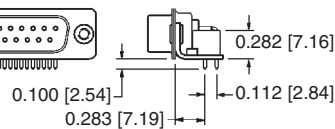
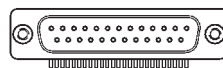
FOR MD-SERIES CONNECTORS, ADD THE SUFFIX "-1298.3" TO THE END OF THE PART NUMBER.  
FOR ODD-SERIES CONNECTORS, ADD THE SUFFIX "-1298.4" TO THE END OF THE PART NUMBER.

Contact Technical Sales for  
minimum order quantities and  
production lead times.

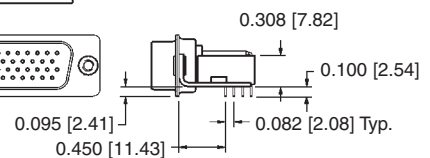
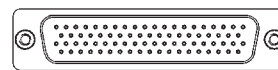
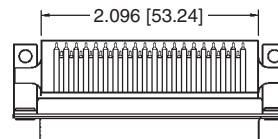
**Material:** Polyphenylenesulfide.



**TYPICAL PART NUMBER:**  
MD25M5R7000-1298.3



**TYPICAL PART NUMBER:**  
MD50F5R7000-1298.3



**TYPICAL PART NUMBER:**  
ODD78F5R7000-1298.4

DIMENSIONS ARE IN INCHES [MILLIMETERS].  
ALL DIMENSIONS ARE SUBJECT TO CHANGE.



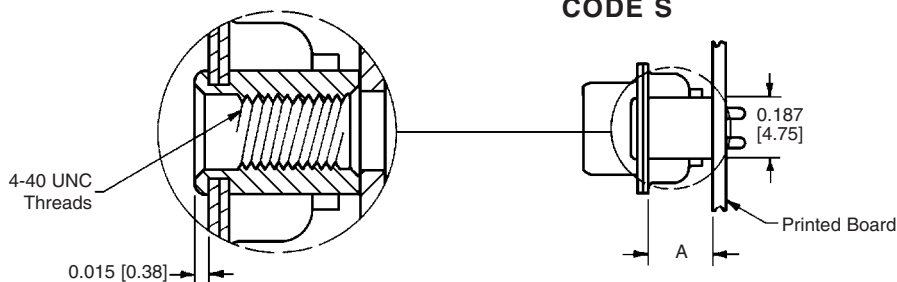
Positronic Industries  
connectpositronic.com

# SWAGED SPACERS, LOCKNUTS, AND SWAGED SPACERS WITH PUSH-ON FASTENERS

D-Sub  
Accessories

POST / SPACERS

## SWAGED SPACER CODE S

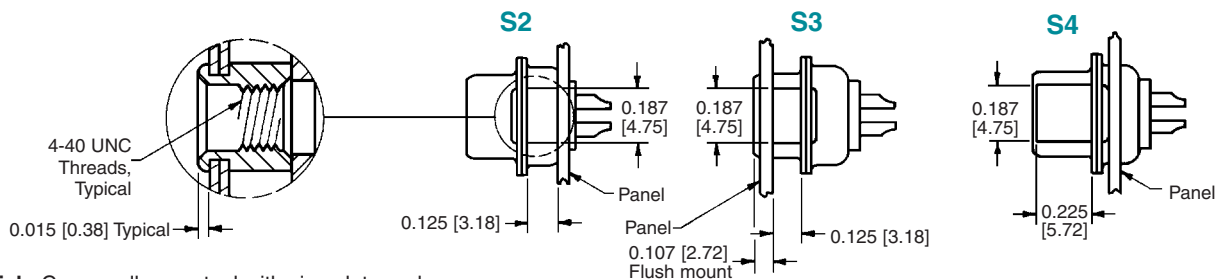


CONNECTOR SERIES	A
MD, MDX, ED, HDC, ODD	0.225 [5.72]
CBD, CBM, CBDD	0.250 [6.35]
SD	0.437 [11.10]
DD	0.375 [9.53]
PCD	0.265 [6.73]

**Material:** Copper alloy or steel with zinc plate and chromate seal or tin plate; stainless steel passivated.

ODD, CBC and CBCD crimp connector supplied with 0.375 [9.53] length spacer.

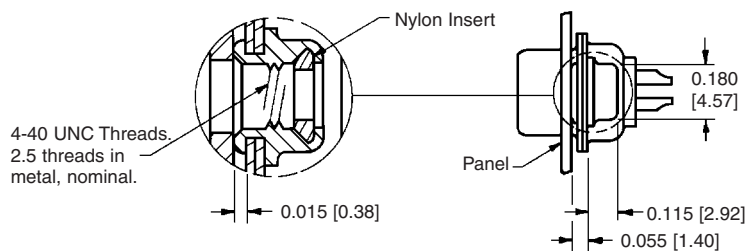
## SWAGED SPACERS CODE S2, S3, AND S4



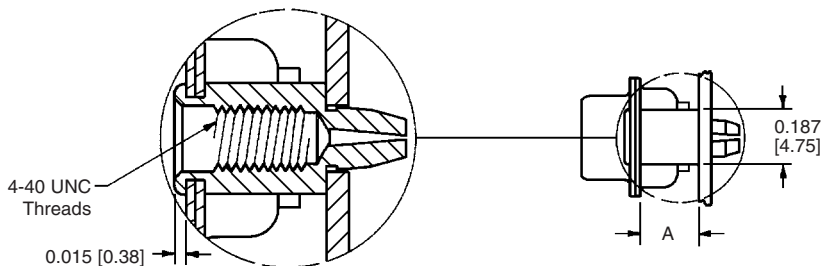
**Material:** Copper alloy or steel with zinc plate and chromate seal or tin plate; stainless steel passivated.

## SWAGED LOCKNUT CODE S5

**Material:** Copper alloy or steel with zinc plate and chromate seal or tin plate; stainless steel, passivated. Nylon insert.



## SWAGED SPACER WITH PUSH-ON FASTENER CODE S6



CONNECTOR SERIES	A
MD, MDX, ED, HDC, ODD, CBDD	0.225 [5.72]
CBD, CBM, CBDD	0.250 [6.35]
SD	0.437 [11.10]
DD	0.375 [9.53]

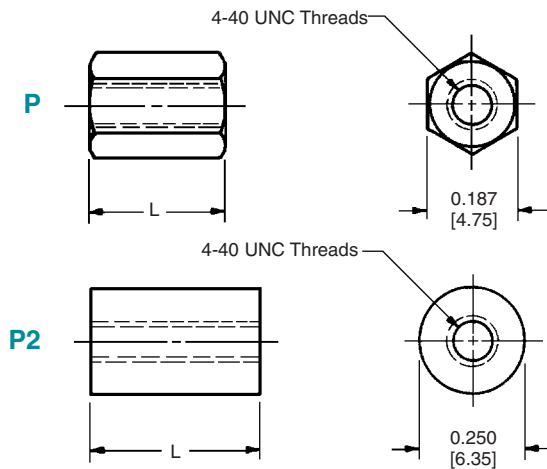
**Material:** Phosphor bronze, tin plate.

Printed board mounting hole to be 0.123 [3.12] Ø ±0.003 for use with push-on fastener.

ODD, CBC and CBCD crimp connector supplied with 0.375 [9.53] length spacer.



THREADED POST  
CODE P AND P2



CONNECTOR SERIES	A
MD, MDX, ED, HDC, ODD	0.225 [5.72]
CBD, CBM, CBDD	0.250 [6.35]
SD	0.437 [11.10]
DD	0.375 [9.53]

ODD, CBC and CBCD crimp connector supplied with 0.375 [9.53] length spacer.

**Material:** P - Brass with zinc plate and chromate seal or tin plate; stainless steel, passivated.  
P2 - Nylon.

# Connectors Designed To Customer Specifications

*Positronic D-subminiature connectors can be modified to customers specifications.*

**Examples:** select loading of contacts for cost savings or to gain creepage and clearance distances; longer PCB terminations; customer specified hardware; sealing for water resistance.

**Contact Technical Sales with your particular requirements.**

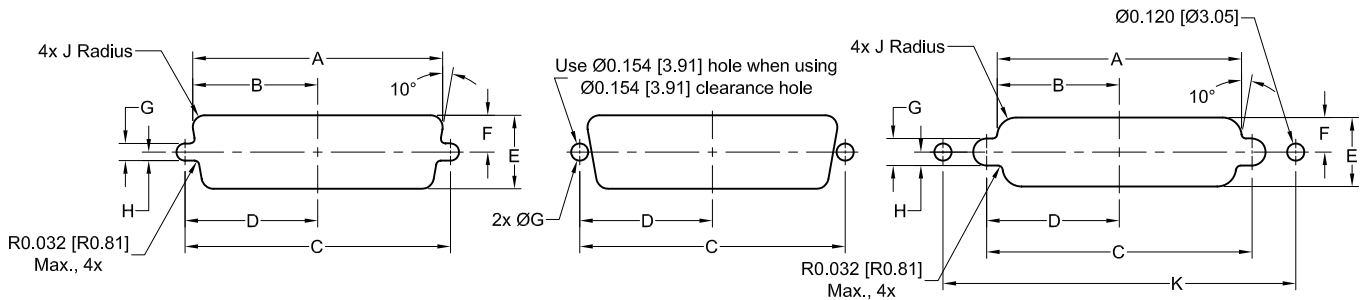




### STANDARD CUTOUT

### OPTIONAL CUTOUT

### BLIND MATE FLOAT PLATE



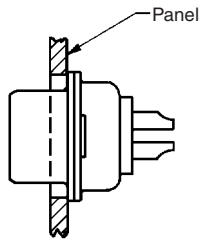
MOUNTING OPTION

SHELL SIZE	CONNECTOR SIZE	MOUNTING	A ±0.005 [±0.13]	B ±0.005 [±0.13]	C ±0.005 [±0.13]	D ±0.005 [±0.13]	E ±0.005 [±0.13]	F ±0.005 [±0.13]	G ±0.002 [±0.05]	H ±0.002 [±0.05]	J ±0.002 [±0.05]	K ±0.005 [±0.13]
SHELL SIZE 1	9 / 15 CLEARANCE HOLE	FRONT	0.874 [22.20]	0.437 [11.10]	0.984 [24.99]	0.492 [12.50]	0.513 [13.03]	0.257 [6.53]	0.120 [3.05]	0.060 [1.52]	0.083 [2.11]	
		REAR	0.806 [20.47]	0.403 [10.24]	0.984 [24.99]	0.492 [12.50]	0.449 [11.40]	0.225 [5.72]	0.120 [3.05]	0.060 [1.52]	0.132 [3.35]	
	9 / 15 FLOAT MOUNT	FRONT	0.906 [23.01]	0.453 [11.51]	0.984 [24.99]	0.492 [12.50]	0.545 [13.84]	0.273 [6.93]	0.088 [2.24]	0.044 [1.12]	0.083 [2.11]	
		REAR	0.838 [21.29]	0.419 [10.64]	0.984 [24.99]	0.492 [12.50]	0.481 [12.22]	0.241 [6.12]	0.088 [2.24]	0.044 [1.12]	0.132 [3.35]	
	9 / 15 BLIND MATE FLOAT PLATE	FRONT	0.838 [21.29]	0.419 [10.64]	0.984 [24.99]	0.492 [12.50]	0.481 [12.22]	0.241 [6.12]	0.188 [4.78]	0.094 [2.39]	0.132 [3.35]	1.586 [40.28]
	SHELL SIZE 2	15 / 26 CLEARANCE HOLE	FRONT	1.202 [30.53]	0.601 [15.27]	1.312 [33.32]	0.656 [16.66]	0.513 [13.03]	0.257 [6.53]	0.120 [3.05]	0.060 [1.52]	0.083 [2.11]
REAR			1.134 [28.80]	0.567 [14.40]	1.312 [33.32]	0.656 [16.66]	0.449 [11.40]	0.225 [5.72]	0.120 [3.05]	0.060 [1.52]	0.132 [3.35]	
15 / 26 FLOAT MOUNT		FRONT	1.234 [31.34]	0.617 [15.67]	1.312 [33.32]	0.656 [16.66]	0.545 [13.84]	0.273 [6.93]	0.088 [2.24]	0.044 [1.12]	0.083 [2.11]	
		REAR	1.166 [29.62]	0.583 [14.81]	1.312 [33.32]	0.656 [16.66]	0.481 [12.22]	0.241 [6.12]	0.088 [2.24]	0.044 [1.12]	0.132 [3.35]	
15 / 26 BLIND MATE FLOAT PLATE		FRONT	1.166 [29.62]	0.583 [14.81]	1.312 [33.32]	0.656 [16.66]	0.481 [12.22]	0.241 [6.12]	0.188 [4.78]	0.094 [2.39]	0.132 [3.35]	1.914 [48.62]
SHELL SIZE 3		25 / 44 CLEARANCE HOLE	FRONT	1.743 [44.27]	0.872 [22.15]	1.852 [47.04]	0.926 [23.52]	0.513 [13.03]	0.257 [6.53]	0.120 [3.05]	0.060 [1.52]	0.083 [2.11]
	REAR		1.674 [42.52]	0.837 [21.26]	1.852 [47.04]	0.926 [23.52]	0.449 [11.40]	0.225 [5.72]	0.120 [3.05]	0.060 [1.52]	0.132 [3.35]	
	25 / 44 FLOAT MOUNT	FRONT	1.775 [45.09]	0.888 [22.56]	1.852 [47.04]	0.926 [23.52]	0.545 [13.84]	0.273 [6.93]	0.088 [2.24]	0.044 [1.12]	0.083 [2.11]	
		REAR	1.706 [43.33]	0.853 [21.67]	1.852 [47.04]	0.926 [23.52]	0.481 [12.22]	0.241 [6.12]	0.088 [2.24]	0.044 [1.12]	0.132 [3.35]	
	25 / 44 BLIND MATE FLOAT PLATE	FRONT	1.706 [43.33]	0.853 [21.67]	1.852 [47.04]	0.926 [23.52]	0.481 [12.22]	0.241 [6.12]	0.188 [4.78]	0.094 [2.39]	0.132 [3.35]	2.461 [62.51]

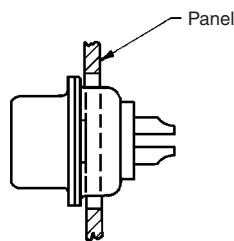
Chart continued on next page



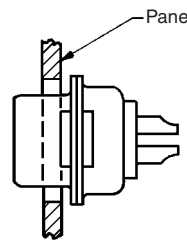
CLEARANCE HOLE  
REAR MOUNT



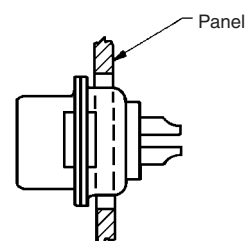
CLEARANCE HOLE  
FRONT MOUNT



FLOAT MOUNT  
REAR MOUNT



FLOAT MOUNT  
FRONT MOUNT

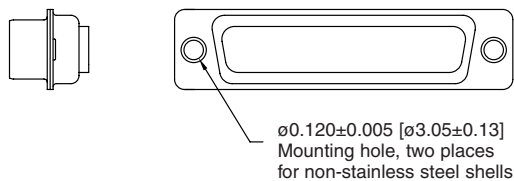


SHELL SIZE	CONNECTOR SIZE	MOUNTING	A ±0.005 [±0.13]	B ±0.005 [±0.13]	C ±0.005 [±0.13]	D ±0.005 [±0.13]	E ±0.005 [±0.13]	F ±0.005 [±0.13]	G ±0.002 [±0.05]	H ±0.002 [±0.05]	J ±0.002 [±0.05]	K ±0.005 [±0.13]
---	29 CLEARANCE HOLE	FRONT	1.425 [36.20]	0.713 [18.11]	1.534 [38.96]	0.767 [19.48]	0.623 [15.82]	0.312 [7.92]	0.120 [3.05]	0.060 [1.52]	0.083 [2.11]	
		REAR	1.356 [34.44]	0.678 [17.22]	1.534 [38.96]	0.767 [19.48]	0.555 [14.10]	0.278 [7.06]	0.120 [3.05]	0.060 [1.52]	0.132 [3.35]	
	29 FLOAT MOUNT	FRONT	1.457 [37.01]	0.729 [18.52]	1.534 [38.96]	0.767 [19.48]	0.655 [16.64]	0.328 [8.33]	0.088 [2.24]	0.044 [1.12]	0.083 [2.11]	
		REAR	1.388 [35.26]	0.694 [17.63]	1.534 [38.96]	0.767 [19.48]	0.587 [14.91]	0.294 [7.47]	0.088 [2.24]	0.044 [1.12]	0.132 [3.35]	
SHELL SIZE 4	37 / 62 CLEARANCE HOLE	FRONT	2.391 [60.73]	1.196 [30.38]	2.500 [63.50]	1.250 [31.75]	0.513 [13.03]	0.257 [6.53]	0.120 [3.05]	0.060 [1.52]	0.083 [2.11]	
		REAR	2.326 [59.08]	1.163 [29.54]	2.500 [63.50]	1.250 [31.75]	0.449 [11.40]	0.225 [5.72]	0.120 [3.05]	0.060 [1.52]	0.132 [3.35]	
	37 / 62 FLOAT MOUNT	FRONT	2.423 [61.54]	1.212 [30.78]	2.500 [63.50]	1.250 [31.75]	0.545 [13.84]	0.273 [6.93]	0.088 [2.24]	0.044 [1.12]	0.083 [2.11]	
		REAR	2.354 [59.79]	1.177 [29.90]	2.500 [63.50]	1.250 [31.75]	0.481 [12.22]	0.241 [6.12]	0.088 [2.24]	0.044 [1.12]	0.132 [3.35]	
	37 / 62 BLIND MATE FLOAT PLATE	FRONT	2.354 [59.79]	1.177 [29.90]	2.500 [63.50]	1.250 [31.75]	0.481 [12.22]	0.241 [6.12]	0.188 [4.78]	0.094 [2.39]	0.132 [3.35]	3.102 [78.79]
SHELL SIZE 5	50 / 78 CLEARANCE HOLE	FRONT	2.297 [58.34]	1.149 [29.18]	2.406 [61.11]	1.203 [30.56]	0.623 [15.82]	0.312 [7.92]	0.120 [3.05]	0.060 [1.52]	0.083 [2.11]	
		REAR	2.218 [56.34]	1.109 [28.17]	2.406 [61.11]	1.203 [30.56]	0.555 [14.10]	0.278 [7.06]	0.120 [3.05]	0.060 [1.52]	0.132 [3.35]	
	50 / 78 FLOAT MOUNT	FRONT	2.329 [59.16]	1.165 [29.59]	2.406 [61.11]	1.203 [30.56]	0.655 [16.64]	0.328 [8.33]	0.088 [2.24]	0.044 [1.12]	0.083 [2.11]	
		REAR	2.250 [57.15]	1.125 [28.58]	2.406 [61.11]	1.203 [30.56]	0.587 [14.91]	0.294 [7.47]	0.088 [2.24]	0.044 [1.12]	0.132 [3.35]	
	50 / 78 BLIND MATE FLOAT PLATE	FRONT	2.260 [57.40]	1.125 [28.58]	2.406 [61.11]	1.203 [30.56]	0.602 [15.29]	0.301 [7.65]	0.188 [4.78]	0.094 [2.39]	0.132 [3.35]	3.008 [76.40]
SHELL SIZE 6	104 CLEARANCE HOLE	FRONT	2.421 [61.49]	1.211 [30.76]	2.500 [63.50]	1.250 [31.75]	0.685 [17.40]	0.343 [8.71]	0.120 [3.05]	0.060 [1.52]	0.083 [2.11]	
		REAR	2.343 [59.51]	1.172 [29.77]	2.500 [63.50]	1.250 [31.75]	0.617 [15.67]	0.309 [7.85]	0.120 [3.05]	0.060 [1.52]	0.132 [3.35]	
	104 FLOAT MOUNT	FRONT	2.453 [62.31]	1.227 [31.17]	2.500 [63.50]	1.250 [31.75]	0.717 [18.21]	0.359 [9.12]	0.088 [2.24]	0.044 [1.12]	0.083 [2.11]	
		REAR	2.375 [60.33]	1.188 [30.18]	2.500 [63.50]	1.250 [31.75]	0.649 [16.48]	0.325 [8.26]	0.088 [2.24]	0.044 [1.12]	0.132 [3.35]	

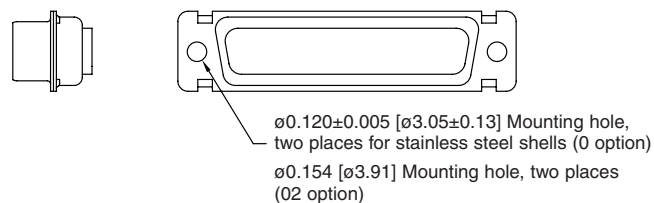


### MOUNTING OPTIONS CODE 0, 02, F

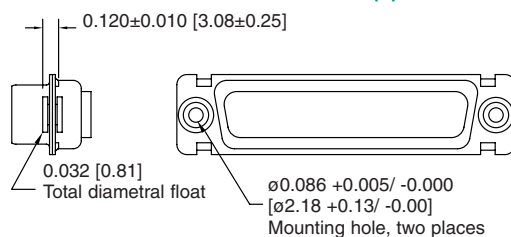
#### THRU HOLE MOUNTING (0)



#### THRU HOLE MOUNTING (0, 02)

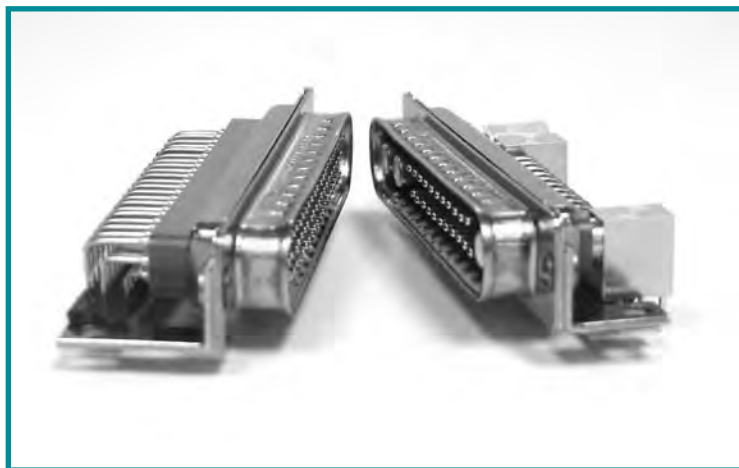


#### FLOAT MOUNTS (F)



### FLARED SHELLS

Flared shells provide a more **generous misalignment** characteristics than standard D-subminiature shells.



SIDE VIEWS OF FLARED SHELL FOR  
DD62M4R7000-1503.33 (shown left) and  
CBD25W3M85R7000-1503.33 (shown right)



Standard Shell



Flared Shell

CONTACT TECHNICAL SALES FOR  
PART NUMBERS AND DETAIL INFORMATION.

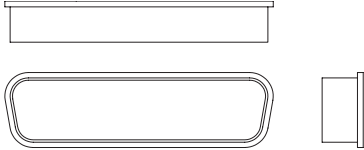


**PROTECTIVE COVER**

SUPPLIED AS STANDARD WITH ALL WD, WDD AND EVD SERIES CONNECTORS

**COVER WITHOUT EARS**

FOR CONNECTORS WITHOUT FIXED JACKSCREWS



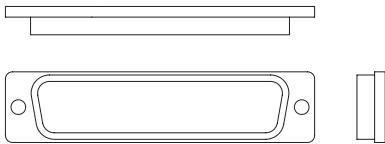
**Material:** Conductive polyethylene  
**Color:** Black

**Optional:**

**Material:** Static dissipative ethylene vinyl acetate  
**Color:** Pink

**COVER WITH EARS**

FOR CONNECTORS WITH FIXED JACKSCREWS



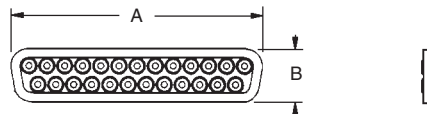
**Material:** Conductive polyester  
**Color:** Black

WD EVD	WDD	CONDUCTIVE REPLACEMENT PART NUMBER WITHOUT EARS	STATIC DISSIPATIVE REPLACEMENT PART NUMBER WITHOUT EARS	REPLACEMENT PART NUMBER WITH EARS
9M	15M	4931-9-0-0	4931-9-1-0	4931-9-100-0
9F	15F	4932-9-0-0	4932-9-1-0	4932-9-100-0
15M	26M	4931-15-0-0	4931-15-1-0	4931-15-100-0
15F	26F	4932-15-0-0	4932-15-1-0	4932-15-100-0
25M	44M	4931-25-0-0	4931-25-1-0	4931-25-100-0
25F	44F	4932-25-0-0	4932-25-1-0	4932-25-100-0
37M	62M	4931-37-0-0	4931-37-1-0	4931-37-100-0
37F	62F	4932-37-0-0	4932-37-1-0	4932-37-100-0
50M	78M	4931-50-0-0	4931-50-1-0	4931-50-100-0
50F	78F	4932-50-0-0	4932-50-1-0	4932-50-100-0

**INTERFACIAL SEAL**

SUPPLIED AS STANDARD WITH ALL MALE WD AND WDD SERIES CONNECTORS

CONNECTOR VARIANT (SHELL SIZE)	A	B
<b>9/15</b> (SHELL SIZE 1)	0.67 (17.0)	0.34 (8.6)
<b>15/26</b> (SHELL SIZE 2)	1.00 (25.4)	0.34 (8.6)
<b>25/44</b> (SHELL SIZE 3)	1.53 (38.9)	0.34 (8.6)
<b>37/62</b> (SHELL SIZE 4)	2.18 (55.4)	0.34 (8.6)
<b>50/78</b> (SHELL SIZE 5)	2.08 (52.8)	0.45 (11.4)



CONNECT VARIANT SIZE 25 INTERFACIAL SEAL  
(SHOWN FOR REFERENCE ONLY)

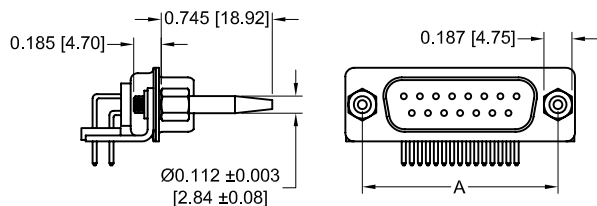
**MATERIAL:** ELASTOMER OR TPE



## BLIND MATING SYSTEM

### BLIND MATING GUIDES

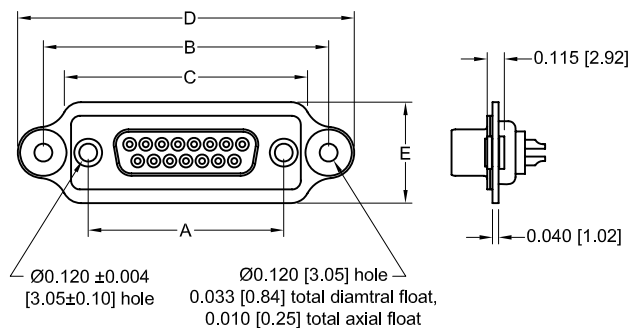
TO OBTAIN BLIND MATING GUIDES, ADD THE SUFFIX  
"-759.0" TO THE END OF THE PART NUMBER.



**TYPICAL PART NUMBER:**  
**MD15M5R7000-759.0**

### PANEL MOUNTING

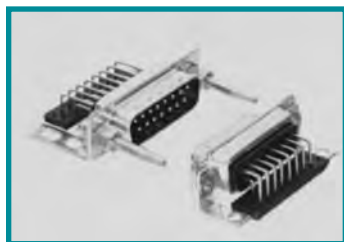
TO OBTAIN PANEL MOUNTING, ADD THE SUFFIX  
"-759.1" TO THE END OF THE PART NUMBER.



**TYPICAL PART NUMBER:**  
**MD15F20000-759.1**

**Material:** Steel with zinc plate and chromate seal or tin plate; stainless steel, passivated

**Material:** Aluminum, yellow anodize standard. Black anodize available.



**MD15M59R800Z-759.0 and  
MD15F5R600X.**

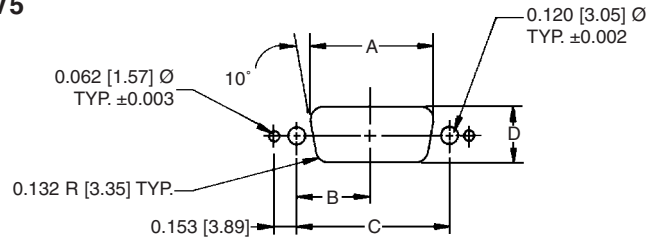
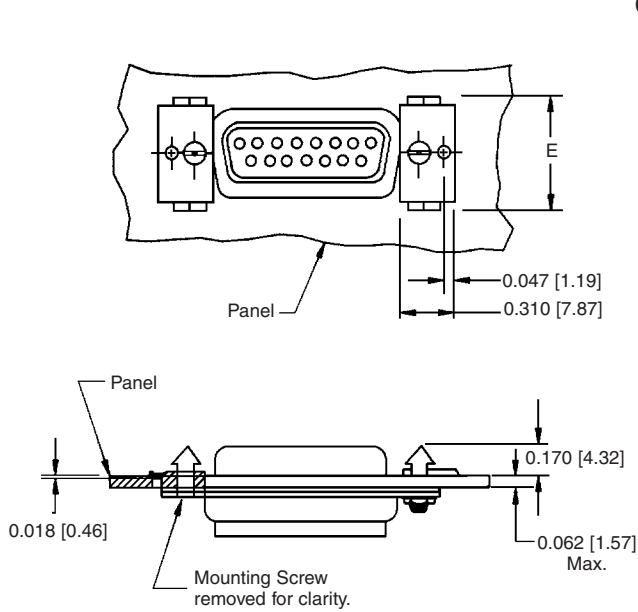
Contact Technical Sales  
for additional ordering  
information.



**DD44M320000-759.1 and  
DD44F30000-759.0.**

CONNECTOR SIZE	A	B	C	D	E
SIZE 9	0.984 [24.99]	1.586 [40.28]	1.333 [33.86]	1.930 [49.02]	0.677 [17.20]
SIZE 15	1.312 [33.32]	1.914 [48.62]	1.661 [42.19]	2.258 [57.35]	0.677 [17.20]
SIZE 25	1.852 [47.04]	2.461 [62.51]	2.208 [56.08]	2.805 [71.25]	0.677 [17.20]
SIZE 29	1.534 [38.96]	2.143 [54.43]	1.890 [48.01]	2.487 [63.17]	0.789 [20.04]
SIZE 37	2.500 [63.50]	3.102 [78.79]	2.849 [72.36]	3.446 [87.53]	0.677 [17.20]
SIZE 50	2.406 [61.11]	3.008 [76.40]	2.755 [69.98]	3.352 [85.14]	0.789 [20.04]

REAR PANEL MOUNT - VIBRATION LOCKING SYSTEM  
CODE V5

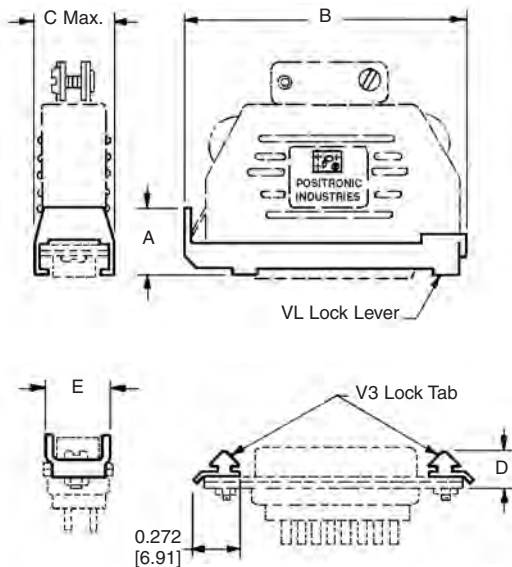


PANEL CUTOUT

Connector Size	PART NO.	A	B	C	D	E
9	D9/370000V50	0.806 [20.47]	0.492 [12.50]	0.984 [24.99]	0.449 [11.40]	0.465 [11.81]
15	D9/370000V50	1.134 [29.80]	0.656 [16.66]	1.312 [33.32]	0.449 [11.40]	0.465 [11.81]
25	D9/370000V50	1.674 [42.52]	0.926 [23.52]	1.852 [47.04]	0.449 [11.40]	0.465 [11.81]
29	D290000V50	1.356 [34.44]	0.767 [19.48]	1.534 [38.96]	0.555 [14.10]	0.585 [14.86]
37	D9/370000V50	2.326 [59.08]	1.250 [31.75]	2.500 [63.50]	0.449 [11.40]	0.465 [11.81]
50	D500000V50	2.218 [56.34]	1.203 [30.56]	2.406 [61.11]	0.555 [14.10]	0.585 [14.86]

Material: Steel, nickel plate.

FRONT PANEL MOUNT - VIBRATION LOCKING SYSTEM  
CODE V3 AND VL



MD25M20JVLZ (left) and  
MD25F5R30V3X (right).

Material: Lock Tab - Steel or copper alloy, nickel plate.  
Lock Lever - Steel, nickel plate.

Connector Size	PART NO.	A	B	C MAX.	PART NO.	D	E
9	D90000VL0	0.615 [15.62]	1.460 [37.08]	0.600 [15.24]	D9/370000V30	0.270 [6.85]	0.465 [11.81]
15	D150000VL0	0.615 [15.62]	1.770 [44.96]	0.600 [15.24]	D9/370000V30	0.270 [6.85]	0.465 [11.81]
25	D250000VL0	0.615 [15.62]	2.360 [59.94]	0.600 [15.24]	D9/370000V30	0.270 [6.85]	0.465 [11.81]
29	D290000VL0	0.615 [15.62]	2.030 [51.56]	0.715 [18.16]	D290000V30	0.270 [6.85]	0.585 [14.86]
37	D370000VL0	0.615 [15.62]	3.020 [76.71]	0.600 [15.24]	D9/370000V30	0.270 [6.85]	0.465 [11.81]
50	D500000VL0	0.635 [16.13]	2.900 [73.66]	0.710 [18.03]	D500000V30	0.270 [6.85]	0.585 [14.86]



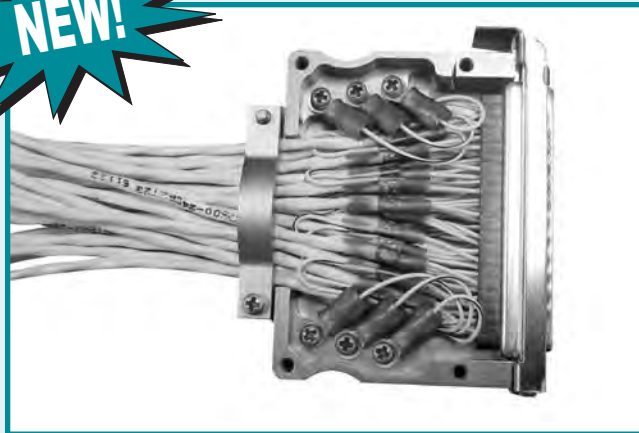


Positronic Industries  
connectpositronic.com

# LIGHTWEIGHT ALUMINUM HOOD PLASTIC HOOD

**D-Sub**  
Accessories

## LIGHTWEIGHT ALUMINUM D-SUB HOOD



- ▶ Lightweight
- ▶ Internal Grounding
- ▶ Wide Aperture
- ▶ EMI Shielding
- ▶ Spacious Interior
- ▶ Slide Lock or Jackscrews
- ▶ Thumb Grip
- ▶ All Shell Sizes

### FOR MORE INFORMATION:

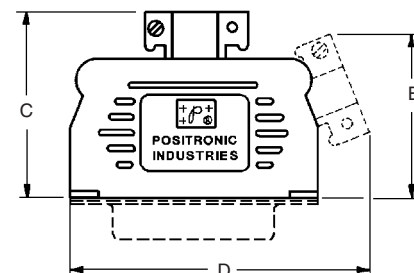
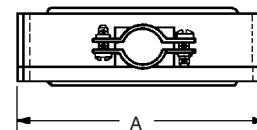
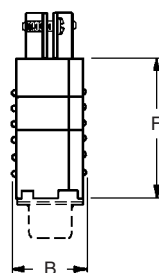
SEE OUR LIGHTWEIGHT ALUMINUM D-SUB HOOD BROCHURE, CONTACT TECHNICAL SALES OR VISIT OUR WEBSITE AT [WWW.CONNECTPOSITRONIC.COM](http://WWW.CONNECTPOSITRONIC.COM)

HOODS



**D25000JVL0**

## PLASTIC HOOD CODE J AND L



**Material:**

**Hood** - Glass-filled nylon, 94V-0.

**Cable**

**Clamps** - Steel, nickel plate.

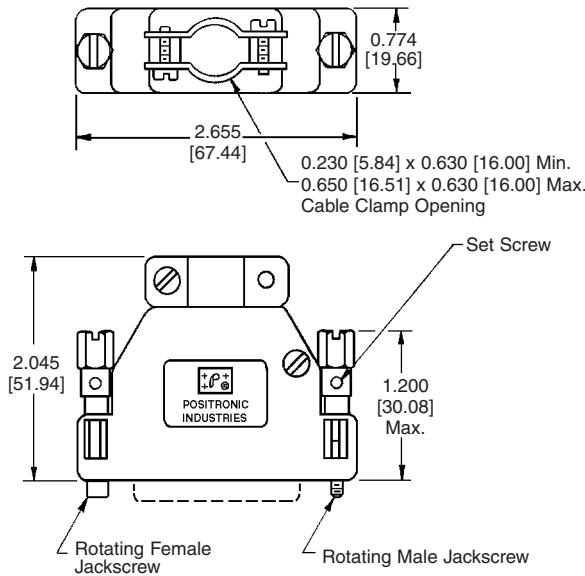
\* = Specify code "J" in step 6 of ordering information for top opening hood or code "L" for side opening hood.

PART NO.	A	B	C	D	E	F	CABLE OPENING	
							MINIMUM	MAXIMUM
D9000*00	1.262 [32.05]	0.593 [15.06]	1.130 [28.70]	1.520 [38.61]	1.030 [26.16]	0.864 [21.95]	0.145 [3.43] Ø	0.280 [7.11] Ø
D15000*00	1.551 [39.40]	0.649 [16.48]	1.414 [35.92]	1.900 [48.26]	1.240 [31.50]	1.022 [25.96]	0.160 [4.06] Ø	0.275 [6.99] Ø
D25000*00	2.129 [54.08]	0.603 [15.31]	1.533 [38.94]	2.492 [63.30]	1.380 [35.10]	1.186 [30.12]	0.110 [2.79] Ø	0.275 [6.99] Ø
D29000*00	1.801 [45.75]	0.697 [17.70]	1.537 [39.04]	2.164 [54.97]	1.390 [35.31]	1.196 [30.38]	0.110 [2.79] Ø	0.280 [7.11] Ø
D37000*00	2.786 [70.76]	0.650 [16.51]	1.844 [46.84]	3.118 [79.20]	1.690 [42.93]	1.506 [38.25]	0.230 X 0.630 [5.84] X [16.00]	0.350 X 0.630 [8.89] X [16.00]
D50000*00	2.688 [68.28]	0.745 [18.92]	1.839 [46.71]	3.015 [76.58]	1.690 [42.93]	1.504 [38.23]	0.230 X 0.630 [5.84] X [16.00]	0.430 X 0.630 [10.92] X [16.00]

SIZE 50 PLASTIC HOOD WITH ROTATING JACKSCREWS

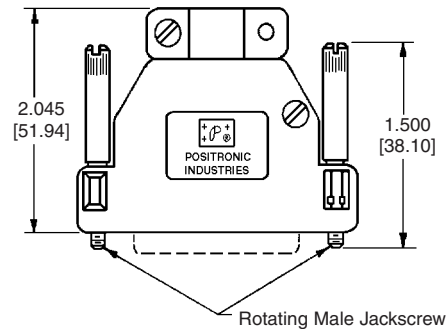
CODE Y AND Y6

Y6 HOOD WITH ROTATING  
POLARIZED JACKSCREWS



Contact Technical Sales  
for the availability  
of other sizes.

Y HOOD WITH ROTATING  
MALE JACKSCREWS

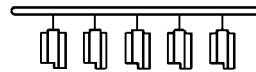


- Material:** Hood - Composite, conductive volume resistivity [1.0 ohm-cm max.].  
**Attenuation** - 40+ decibels.  
**Alternate material** - Glass-filled nylon, UL 94V-0.  
**Jackscrews** - Steel with zinc plate and chromate seal or tin plate; stainless steel, passivated.  
**Cable Clamps** - Steel, nickel plated.

SIZE 104 COMPOSITE HOOD WITH ROTATING JACKSCREWS

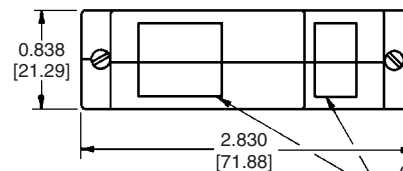
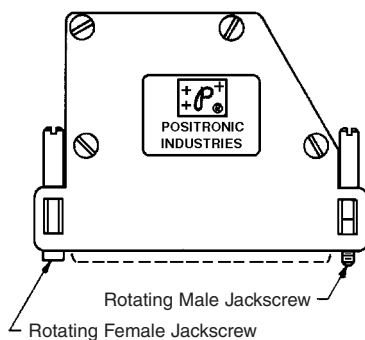
CODE Y AND Y6

CABLE OPENING INSERT TREE



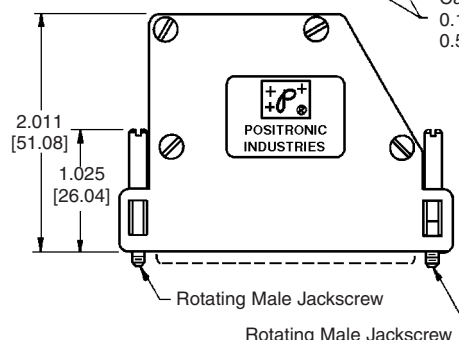
- Material:** Hood: Composite, conductive volume resistivity [1.0 ohm-cm max.].  
**Attenuation:** 40+ decibels.  
**Alternate material:** Glass-filled nylon, UL 94V-0.

Y6 HOOD WITH ROTATING  
POLARIZED JACKSCREWS



Cable Opening Positions:  
0.125 [3.18] Ø Min.  
0.550 [13.97] Ø Max.

Y HOOD WITH  
ROTATING MALE  
JACKSCREWS

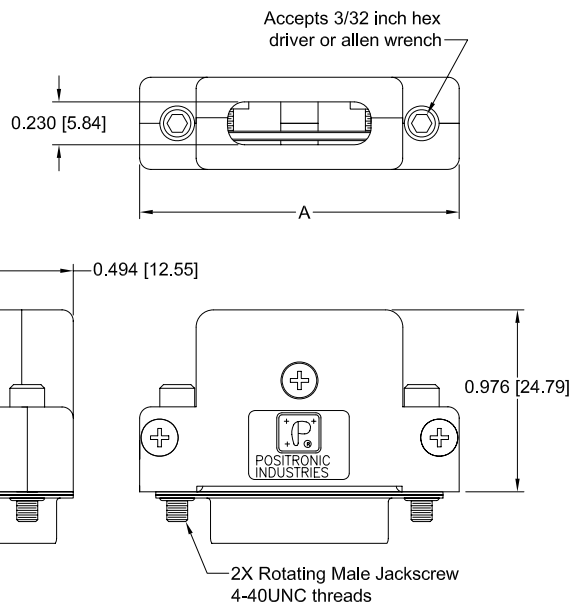




## LOW PROFILE HOOD CODE QH



**Note:** When using QH hood with connector series other than QB, use MOS-1886.0 to allow for installation of required mounting spacers.  
**Example part number:** RD15F10000-1886.0



**Material:**

**Hood:** Glass filled polyester, UL94V-0.

**Jackscrews:** Steel with zinc plate and chromate seal or tin plate; stainless steel, passivated.

**Internal cable clamp:** Steel, nickel plate.

PART NO.	A
SHELL SIZE 2	1.715 [43.56]
SHELL SIZE 3	2.255 [57.28]

Contact Technical Sales for more information.

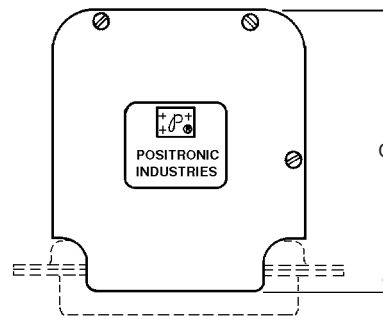
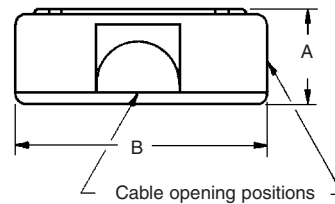


QB7W2000QH0 hood shown above with contacts

PLASTIC HOOD  
CODE W



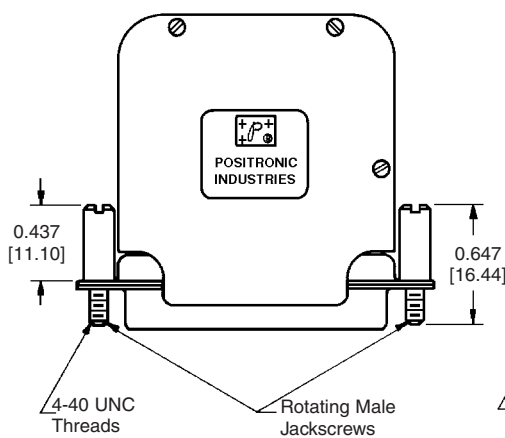
D9000W00 (left) and  
D25000W00 (right) shown above.



Material: Polypropylene 94V-0.

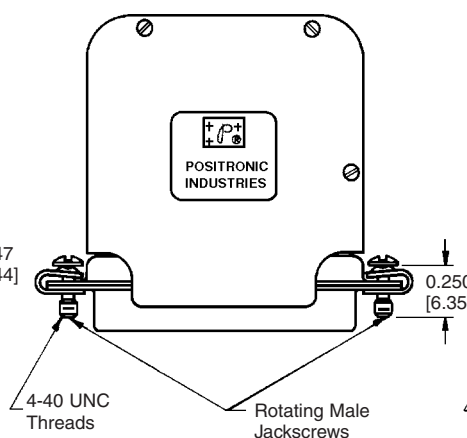
PART NO.	A	B	C	CABLE OPENING	
				MIN.	MAX.
D9000W00	0.630 [16.00]	0.770 [19.56]	1.800 [45.72]	0.093 <sub>R</sub> [2.36]	0.093 <sub>R</sub> [2.36]
D15000W00	0.630 [16.00]	1.100 [27.94]	1.800 [45.72]	0.125 <sub>R</sub> [3.18]	0.156 <sub>R</sub> [3.96]
D25000W00	0.630 [16.00]	1.622 [41.20]	1.800 [45.72]	0.125 <sub>R</sub> [3.18]	0.250 <sub>R</sub> [6.35]

PLASTIC HOOD WITH JACKSCREW SYSTEM  
CODE WE, WE2, AND WE6



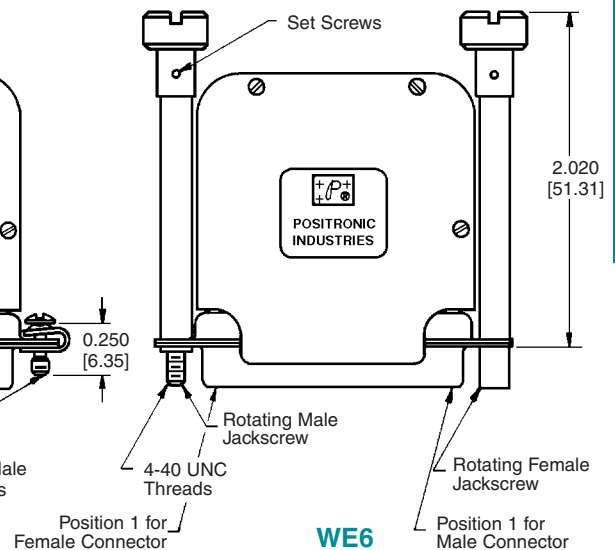
WE

**Material:**  
**Hood:** Polypropylene 94V-0.  
**Jackscrew:** Steel with zinc plate and chromate seal or tin plate; stainless steel, passivated.



WE2

**Material:**  
**Hood:** Polypropylene 94V-0.  
**Jackscrew:** Steel with zinc plate and chromate seal or tin plate; stainless steel, passivated.  
**U-Clip:** Spring steel with zinc plate and chromate seal or tin plate; stainless steel, passivated.



WE6

**Material:**  
**Hood:** Polypropylene 94V-0.  
**Jackscrew:** Steel with zinc plate and chromate seal or tin plate; stainless steel, passivated.  
**Spacer & Knob:** Aluminum, yellow chromate conversion.

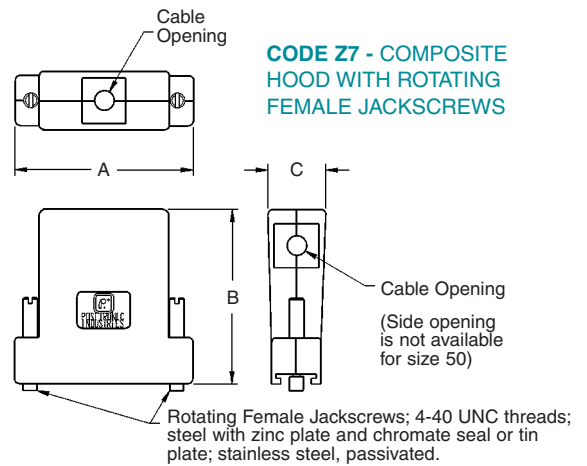
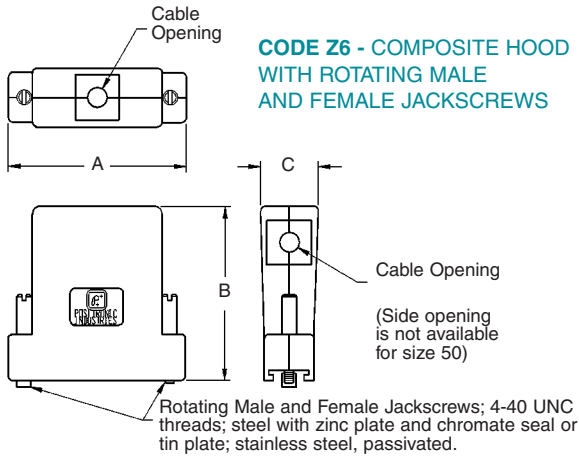
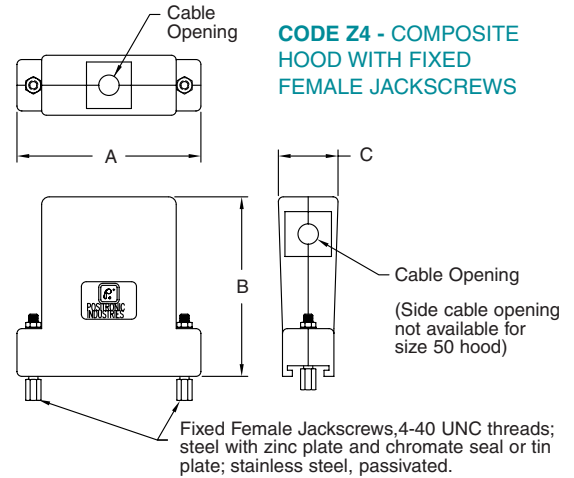
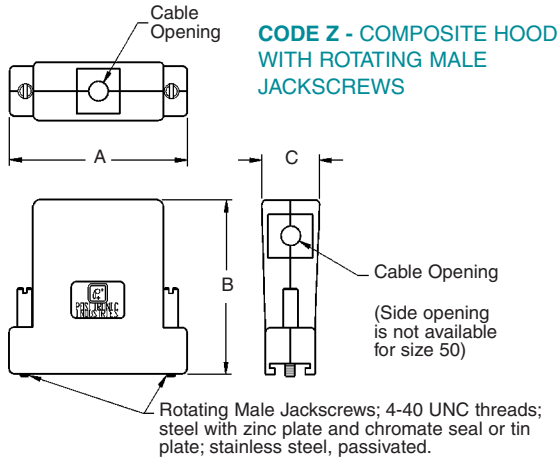


Positronic Industries  
connectpositronic.com

# EXTENDED HEIGHT, ROBUST COMPOSITE HOODS WITH BOTH TOP AND SIDE CABLE OPENINGS FOR LARGE DIAMETER SHIELDED AND HEAVY POWER CONTACTS

D-Sub  
Accessories

## EMI/RFI COMPOSITE HOODS CODE Z, Z4, Z6, AND Z7



PART NO.	A	B	C	CABLE OPENING	
				MIN.	MAX.
D9000Z00 D9000Z400 D9000Z600 D9000Z700	1.387 [35.23]	1.935 [49.15]	0.735 [18.67]	0.100 [2.54]	0.400 x 0.570 [10.16] x [14.48]
D15000Z00 D15000Z400 D15000Z600 D15000Z700	1.715 [43.56]	1.935 [49.15]	0.735 [18.67]	0.100 [2.54]	0.400 x 0.570 [10.16] x [14.48]
D25000Z00 D25000Z400 D25000Z600 D25000Z700	2.254 [57.25]	2.200 [55.88]	0.735 [18.67]	0.100 [2.54]	0.550 x 0.570 [13.97] x [14.48]
D37000Z00 D37000Z400 D37000Z600 D37000Z700	2.903 [73.74]	2.200 [55.88]	0.735 [18.67]	0.100 [2.54]	0.550 x 0.570 [13.97] x [14.48]
D50000Z00 D50000Z400 D50000Z600 D50000Z700	2.809 [71.35]	2.700 [68.58]	0.900 [22.86]	0.100 [2.54]	∅ 0.630 [16.00]

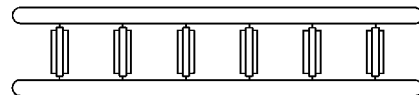
**Material:** Composite, conductive volume resistivity [1.0 ohm-cm max.], UL94V-0.  
Attenuation: 40+ decibels.

**Alternate Material:** Glass filled nylon, UL94V-0.



### TYPICAL INSERTS

Various inserts are provided to accommodate different cable sizes.



### INSERT TREE ASSEMBLY



HOODS

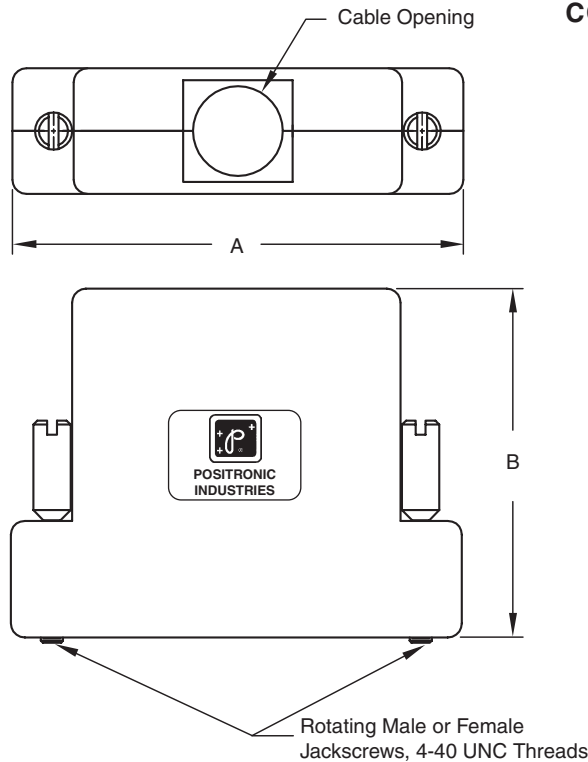




EMI/RFI METAL HOOD

FOR HIGH PERFORMANCE APPLICATION D-SUBMINIATURE CONNECTORS

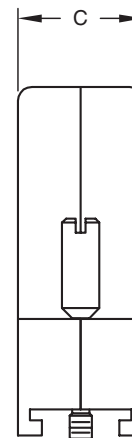
CODE M



PART NUMBER	A	B	C	CABLE OPENING MAX.
D9000*00	1.397 [35.48]	1.750 [44.45]	0.630 [16.00]	∅ 0.375 [9.53]
D15000*00	1.725 [43.82]	1.750 [44.45]	0.630 [16.00]	∅ 0.375 [9.53]
D25000*00	2.265 [57.53]	1.750 [44.45]	0.630 [16.00]	∅ 0.450 [11.43]
D37000*00	2.913 [73.99]	1.750 [44.45]	0.630 [16.00]	∅ 0.450 [11.43]
D50000*00	2.819 [71.60]	1.750 [44.45]	0.740 [18.80]	∅ 0.550 [13.97]
D104000*00	2.913 [73.99]	1.750 [44.45]	0.803 [20.40]	∅ 0.625 [15.88]

\* - DESIGNATES HOOD ACCESSORIES OPTION

ALUMINUM HOOD WITH  
ROTATING MALE OR FEMALE JACKSCREWS



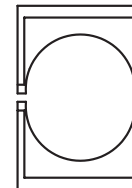
Typical Part Number:  
(FOR HOOD ASSEMBLY)  
D25000M00

Typical Part Number:  
(FOR CABLE ENTRY INSERT)  
4595 - \*\*\* - \*\*\* - \*\*

NOTE: Inserts are not supplied with hood and must be ordered separately.

Consult Technical Sales for part number completion based upon customer requirements.

TYPICAL INSERTS



**Material:** Hood - Aluminum per QQ-A-225, yellow chromate conversion per MIL-C-5541 or black anodize per MIL-A-8625 optional.

**Hardware** - Non-magnetic stainless steel per QQ-S-763, passivated per QQ-P-35, or brass per QQ-B-626 with 0.000050 [1.27µ] gold plate over copper per MIL-G-45204 optional.

HOOD ACCESSORIES PART NUMBERS

HARDWARE OPTIONS	YELLOW CHROMATE CONVERSION HOOD WITH STAINLESS STEEL HARDWARE	YELLOW CHROMATE CONVERSION HOOD WITH COPPER ALLOY HARDWARE	BLACK ANODIZED HOOD WITH STAINLESS STEEL HARDWARE	BLACK ANODIZED HOOD WITH COPPER ALLOY HARDWARE
MALE ROTATING JACKSCREWS	D*000M00	D*000MG00	D*000MB00	D*000MC00
FEMALE ROTATING JACKSCREWS	D*000M700	D*000M7G00	D*000M7B00	D*000M7C00
ONE (1) MALE ROTATING JACKSCREW AND ONE (1) FEMALE ROTATING JACKSCREW	D*000M600	D*000M6G00	D*000M6B00	D*000M6C00

\* - DESIGNATES CONNECTOR SIZE



Positronic's EMI/RFI shielding G-Series metal hoods are made of die cast zinc in order to maximize shielding performance as well as ruggedness. The interior space is well-proportioned to allow ample room for conductors. Cable retention in the hood is maintained with zinc die-cast cable clamps, and there is a central grounding post inside the hood. Various cable exit options are offered and unused cable openings are EMI/RFI protected by using the included metal plugs. For greater shielding performance as well as greater cable retention, a crimp fer-

rule system is available; see page 22 of this catalog.

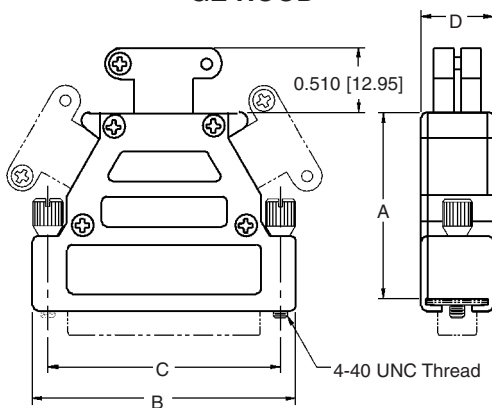
These EMI/RFI shielding hoods are offered with rotating jackscrews or vibration locking systems. The G-Series EMI/RFI shielding hoods can be supplied for D-subminiature connector shell sizes 1 - 6 which meet the dimensional requirements of M24308, IEC 807-2, and IEC 807-3.

The EMI/RFI hoods and adapters shown on pages 19 -21 of this catalog are manufactured by **Inotec**. Positronic serves as the North American distributor of these hoods and adapters.

EMI/RFI METAL HOOD WITH ROTATING JACKSCREWS

CODE GE

GE HOOD



**Note:** To prevent stripping of the hood assembly screws, we recommend using **Pozidrive screwdriver bits** available from stock using **part number 9535-2-2-0**, contact Technical Sales.

CABLE CLAMP OPENINGS

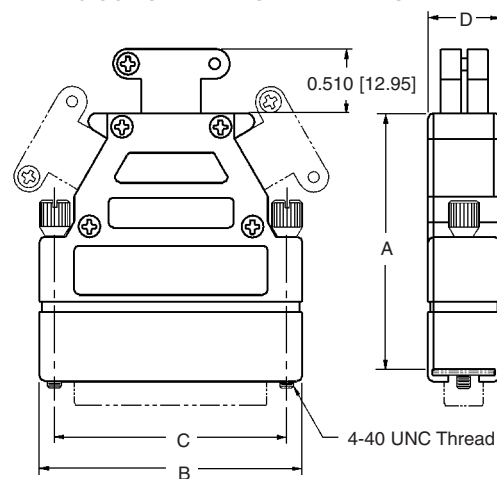
**Shell Sizes 1 - 4:**  
0.118 [3.0], Min.  
0.472 [12.0], Max.

**Shell Size 5 - 6:**  
0.197 [5.0], Min.  
0.551 [14.0], Max.

Material: Zinc, die cast.

EXTENDED HEIGHT GE HOOD

FOR EXTENDED GE HOOD, ADD THE SUFFIX "-1023.5" TO THE END OF THE PART NUMBER.

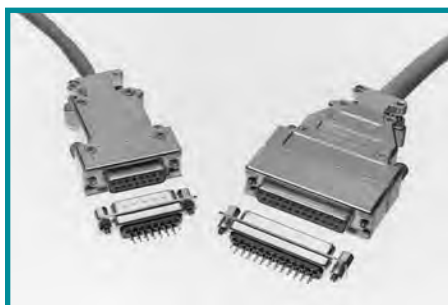


See page 22 of this catalog for optional Crimp Ferrule System.

PART NUMBER (SHELL SIZE)	A	B	C	D	CABLE EXIT OPTIONS
<b>D9000GE0</b> (Shell Size 1)	1.496 [38.00]	1.220 [31.00]	0.984 [25.00]	0.583 [14.81]	1 Top (Not Pictured)
<b>D15000GE0</b> (Shell Size 2)	1.673 [42.50]	1.547 [39.30]	1.311 [33.30]	0.583 [14.81]	1 Top, 1 Side* (Not Pictured)
<b>D25000GE0</b> (Shell Size 3)	1.673 [42.50]	2.094 [53.20]	1.850 [47.00]	0.583 [14.81]	1 Top, 2 Side**
<b>D37000GE0</b> (Shell Size 4)	1.673 [42.50]	2.736 [69.50]	2.500 [63.50]	0.583 [14.81]	1 Top, 2 Side**
<b>D50000GE0</b> (Shell Size 5)	1.673 [42.50]	2.638 [67.00]	2.406 [61.10]	0.701 [17.80]	1 Top, 2 Side**
<b>D104000GE0</b> (Shell Size 6)	1.657 [42.09]	2.835 [72.01]	2.500 [63.50]	0.764 [19.40]	1 Top, 2 Side** (Not Pictured)

PART NUMBER (SHELL SIZE)	A	B	C	D	CABLE EXIT OPTIONS
<b>D9000GE0-1023.5</b> (Shell Size 1)	1.988 [50.50]	1.220 [31.00]	0.984 [25.00]	0.583 [14.81]	1 Side (Not Pictured)
<b>D15000GE0-1023.5</b> (Shell Size 2)	2.165 [55.00]	1.547 [39.30]	1.311 [33.30]	0.583 [14.81]	1 Side (Not Pictured)
<b>D25000GE0-1023.5</b> (Shell Size 3)	2.165 [55.00]	2.094 [53.20]	1.850 [47.00]	0.583 [14.81]	1 Top, 2 Side**
<b>D37000GE0-1023.5</b> (Shell Size 4)	2.165 [55.00]	2.736 [69.50]	2.500 [63.50]	0.583 [14.81]	1 Top, 2 Side**
<b>D50000GE0-1023.5</b> (Shell Size 5)	2.244 [57.00]	2.638 [67.00]	2.406 [61.10]	0.701 [17.80]	1 Top, 2 Side**

(\* NOTE: These hoods are supplied with one (1) cable clamp set and one (1) opening plug.  
(\*\* NOTE: These hoods are supplied with one (1) cable clamp set and two (2) opening plugs.



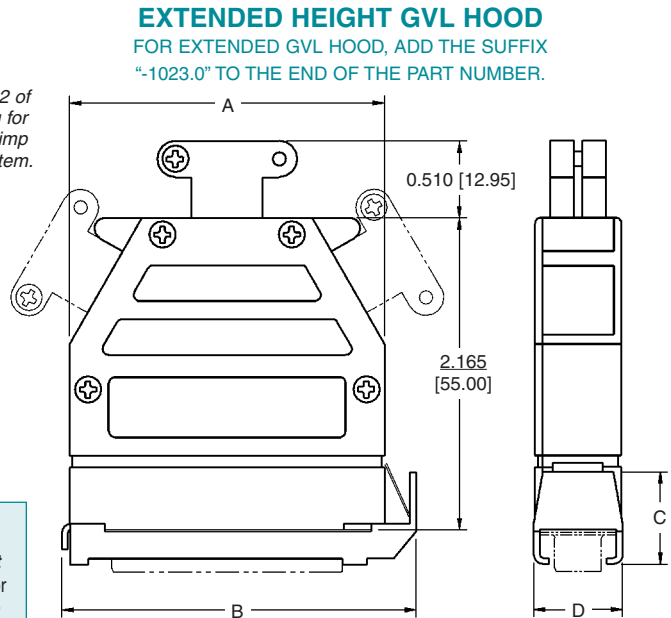
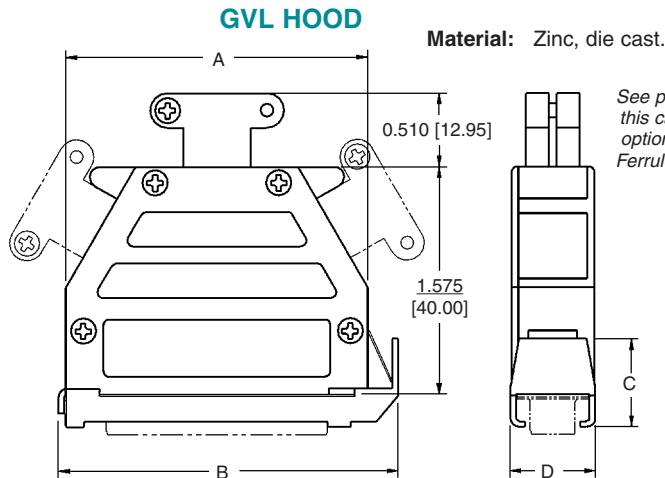
FEATURES:

- Gripping shoulders enable trouble-free extraction of the connector assembly even with tightly packed aligned hoods.
- Rotating jackscrews offer the most secure mechanical locking of the connector system.
- Standard height hoods for use with Connector Shell Sizes 1 and 2 are available with a top or side cable exit option. Contact Technical Sales for details.
- Hoods for use with Connector Shell Sizes 3 - 5 are designed with three (3) cable entries and can permit the looping through of cables. Cable entries not used are sealed with supplied metal plugs to maintain EMI/RFI shielding qualities.
- Two (2) height options are available, one being a low profile option as shown on the left side of this page. An increased height option (as shown on the right side of this page) is offered for use with power conductors and coaxial cable, such as might be used with the Positronic CBD/CBM Series Connectors.
- Grounding to the hood may be accomplished by fastening wires inside hood with an M3 threaded phillips head screw.



**EMI/RFI METAL HOOD WITH VIBRATION LOCK SYSTEM  
CODE G\*\*\* AND GVL**

\*\*\*GVL HOOD SHOWN FOR REFERENCE, FOR G HOOD USE SAME DRAWING AS GVL HOOD EXCEPT WITHOUT THE VIBRATION LOCK SYSTEM



**CABLE CLAMP OPENINGS**

**Shell Sizes 1 - 4:**  
0.118 [3.0], Min. • 0.472 [12.0], Max.

**Shell Size 5:**  
0.197 [5.0], Min. • 0.551 [14.0] Max.

**Note:** To prevent stripping of the hood assembly screws, we recommend using Pozidrive screwdriver bits available from stock using part number 9535-2-2-0, contact Technical Sales. For the mounting screws, we recommend using a standard phillips head screwdriver bit.

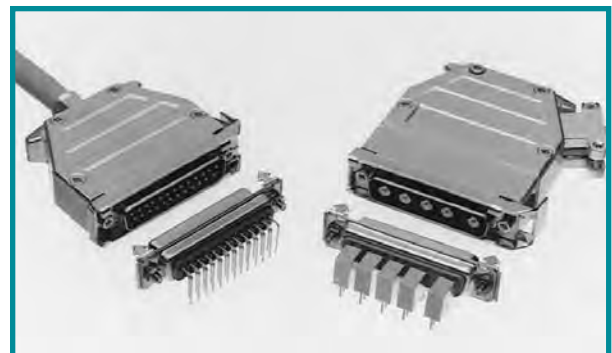
SHELL SIZE	PART NUMBER	A	B	C	D	CABLE EXIT OPENING
1	D9000G00	1.260 [32.00]	---	---	---	2 Side*
	D9000GVL0		1.460 [37.08]	0.615 [15.62]	0.600 [15.24]	
2	D15000G00	1.547 [39.30]	---	---	---	1 Top, 2 Side**
	D15000GVL0		1.770 [44.96]	0.615 [15.62]	0.600 [15.24]	
3	D25000G00	2.094 [53.20]	---	---	---	1 Top, 2 Side**
	D25000GVL0		2.360 [59.94]	0.615 [15.62]	0.600 [15.24]	
4	D37000G00	2.736 [69.50]	---	---	---	1 Top, 2 Side**
	D37000GVL0		3.020 [76.71]	0.615 [15.62]	0.600 [15.24]	
5	D50000G00	2.638 [67.00]	---	---	---	1 Top, 2 Side**
	D50000GVL0		2.900 [73.66]	0.635 [16.13]	0.710 [18.03]	

SHELL SIZE	PART NUMBER	A	B	C	D	CABLE EXIT OPENING
1	D9000G00-1023.2	1.260 [32.00]	---	---	---	2 Side*
	D9000GVL0-1023.0		1.460 [37.08]	0.615 [15.62]	0.600 [15.24]	
2	D15000G00-1023.2	1.547 [39.30]	---	---	---	1 Top, 2 Side**
	D15000GVL0-1023.0		1.770 [44.96]	0.615 [15.62]	0.600 [15.24]	
3	D25000G00-1023.2	2.094 [53.20]	---	---	---	1 Top, 2 Side**
	D25000GVL0-1023.0		2.360 [59.94]	0.615 [15.62]	0.600 [15.24]	
4	D37000G00-1023.2	2.736 [69.50]	---	---	---	1 Top, 2 Side**
	D37000GVL0-1023.0		3.020 [76.71]	0.615 [15.62]	0.600 [15.24]	
5	D50000G00-1023.2	2.638 [67.00]	---	---	---	1 Top, 2 Side**
	D50000GVL0-1023.0		2.900 [73.66]	0.635 [16.13]	0.710 [18.03]	

(\* NOTE: These hoods are supplied with one (1) cable clamp set and one (1) opening plug.  
(\*\*) NOTE: These hoods are supplied with one (1) cable clamp set and two (2) opening plugs.

**FEATURES:**

- Rapid locking system stays in a constantly-locked position, utilizing a blade spring. System is unlocked by simply pressing the slide latch. Locking is automatic upon coupling to the mating connector.
- Gripping shoulders enable trouble-free extraction of the connector assembly even with tightly packed aligned hoods.
- Hoods for use with Connector Shell Sizes 2 - 5 are designed with three (3) cable entries and can permit the looping through of cables. Cable entries not used are sealed with the supplied metal plugs to maintain EMI/RFI shielding. Hoods for use with Connector Shell Size 1 are designed with only two (2) side openings.
- Two (2) height options are available, one being a low profile option as shown on the left side of this page. An increased height option (as shown on the right side of this page) is offered for use with power conductors and coaxial cable, such as might be used with the Positronic CBD/CBM Series Connectors.



**NEW** • Grounding to the hood may be accomplished by fastening wires inside hood with an M3 threaded phillips head screw.

DIMENSIONS ARE IN INCHES [MILLIMETERS].  
ALL DIMENSIONS ARE SUBJECT TO CHANGE.



Positronic Industries  
connectpositronic.com

## EMI/RFI METAL HOODS

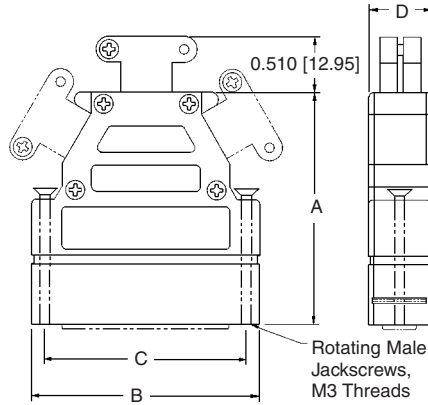
D-Sub  
Accessories

### EMI/RFI METAL HOOD

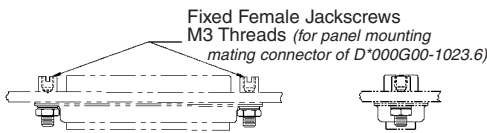
TO OBTAIN THE FIXED FEMALE JACKSCREWS (SHOWN BELOW),  
ADD THE SUFFIX "-1193.6" TO THE END OF THE PART NUMBER.

Contact Technical Sales for additional ordering information.

**Note:** To prevent stripping of the hood assembly screws, we recommend using Pozidrive screwdriver bits available from stock using part number 9535-2-2-0, contact Technical Sales.



**Material:**  
Zinc, die cast



#### CABLE CLAMP OPENINGS

**Shell Sizes 1 - 4:** 0.118 [3.0], Min. • 0.472 [12.0], Max.      **Shell Size 5:** 0.197 [5.0], Min. • 0.551 [14.0] Max.

See page 22 of this catalog for optional Crimp Ferrule System.



PART NUMBER (Shell Size)	A	B	C	D	CABLE EXIT OPENINGS
<b>D9000G00-1023.6</b> (Shell Size 1)	1.949 [49.50]	1.287 [32.70]	0.984 [25.00]	0.583 [14.81]	1 Top (Not Pictured)
<b>D15000G00-1023.6</b> (Shell Size 2)	2.126 [54.00]	1.551 [39.40]	1.311 [33.30]	0.583 [14.81]	1 Side (Not Pictured)
<b>D25000G00-1023.6</b> (Shell Size 3)	2.126 [54.00]	2.165 [55.00]	1.850 [47.00]	0.583 [14.81]	1 Top, 2 Side*
<b>D37000G00-1023.6</b> (Shell Size 4)	2.204 [56.00]	2.803 [71.20]	2.500 [63.50]	0.583 [14.81]	1 Top, 2 Side*
<b>D50000G00-1023.6</b> (Shell Size 5)	2.204 [56.00]	2.717 [69.01]	2.406 [61.10]	0.701 [17.80]	1 Top, 2 Side*
<b>D104000G00-1023.6</b> (Shell Size 6)	1.929 [49.00]	2.835 [72.00]	2.500 [63.50]	0.764 [19.40]	1 Top, 2 Side*

**NOTE:** The hoods denoted with an (-) are supplied with one (1) cable clamp set and two (2) opening plugs.

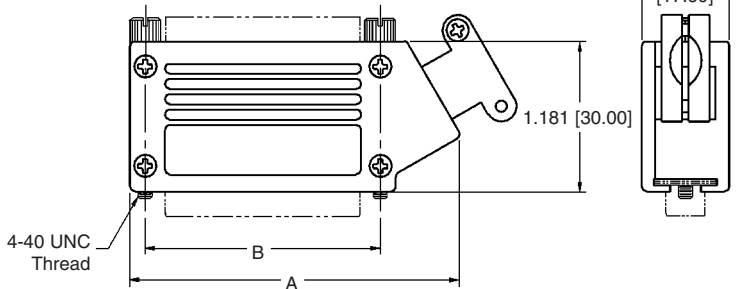
#### FEATURES:

- Developed for applications where the highest degree of EMI/RFI shielding protection is required.
- The connector is recessed into the hood so that additional EMI/RFI protection is gained.
- When this connector system is fully coupled, the front edge of the hood presses against the panel that houses the mating connector, offering greater shielding.
- Hoods for use with Connector Shell Sizes 3 - 5 are designed with three (3) cable entries and can permit the looping through of cables. Cable entries not used are sealed with supplied metal plugs to maintain EMI/RFI shielding qualities.
- Jackscrew locking system is supplied as a standard for secure mechanical coupling.
- Grounding to the hood may be accomplished by fastening wires inside hood with an M3 threaded phillips head screw.

HOODS

**Note:** To prevent stripping of the hood assembly screws, we recommend using Pozidrive screwdriver bits available from stock using part number 9535-2-2-0, contact Technical Sales.

### EMI/RFI ADAPTER CODE GA



**Material:** Zinc, die cast

#### CABLE CLAMP OPENINGS

**Shell Sizes 1 - 4:**  
0.118 [3.0], Min.  
0.472 [12.0], Max.

See page 22 of this catalog for optional Crimp Ferrule System.

PART NUMBER (Shell Size)	A	B	OPTIONAL COVER PLATE	OPTIONAL CABLE OPENING PLUG*
<b>D9000GA0</b> (Shell Size 1)	1.733 [44.00]	0.984 [25.00]	4589-9-0-0	4596-1-0-0
<b>D15000GA0</b> (Shell Size 2)	2.059 [52.30]	1.311 [33.30]	4589-15-0-0	4596-1-0-0
<b>D25000GA0</b> (Shell Size 3)	2.598 [66.00]	1.850 [47.00]	4589-25-0-0	4596-1-0-0
<b>D37000GA0</b> (Shell Size 4)	3.248 [82.50]	2.500 [63.50]	4589-37-0-0	4596-1-0-0

\*Must be purchased separately.



#### FEATURES:

- The "GA" Series Adapter can be used as a gender-changer which provides EMI/RFI protection.
- The "GA" Series Adapter allows for internal placement of a P.C. board between the connectors.
- The "GA" Series Adapter can be used to adapt connectors of one interface standard to another.
- The "GA" Series Adapter can be used in applications where tapping into the electrical line path between connectors is necessary. A cable exit is provided for this application.
- If no connector is inserted into the rear side of the hood, the opening can be closed with a metal plate which can be adapted for use with LED's, mini-switches, and coaxial connectors.
- Jackscrew locking system is supplied as a standard for secure mechanical coupling.



- Grounding to the hood may be accomplished by fastening wires inside hood with an M3 threaded phillips head screw.





### CRIMP FERRULE SYSTEMS

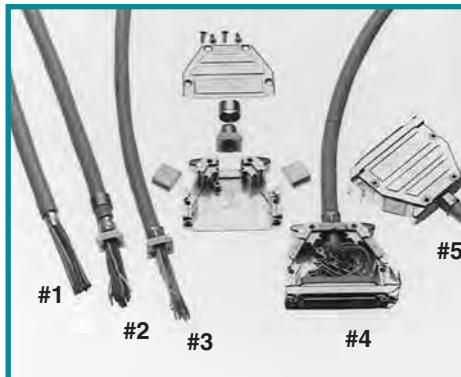
The Crimp Ferrule System can be used with all Positronic G-Series hoods and is recommended when maximizing EMI/RFI protection is desired.

The Crimp Ferrule System optimizes the transition of the cable shield into the hood in three ways. First: It provides a low impedance connection of the cable shield to the hood which remains constant over time. Second: The system provides an EMI/RFI tight cable exit point. Third: The system provides for high mechanical retention of the cable in the hood.

Application of the Crimp Ferrule System is quite simple. Once the cable insulation and shield are cut to the correct dimensions (#1), the crimp ferrule is placed over the

cable and the crimp flange is inserted between the shield and the conductors (#2). The crimp ferrule is now slid over the cable insulation into position over the crimp flange and the crimp is made using Positronic-supplied Hand Press and Die Sets (#3). This assembly is then terminated to the connector and placed into the hood (#4). Finally, the cover is placed on the hood and secured using four (4) screws (#5).

To order the Positronic-supplied Hand Press, request Part Number 9520-0-0-0 or for Hand Crimp Tool, request Part Number 9521-0-0-0 from the Factory. To order Positronic supplied Die Sets, contact Technical Sales for ordering information, since Die Sets are customized based on the specific crimp flanges and crimp ferrules used.



A crimp ferrule (left) and a crimp flange (right) shown above.

#### CRIMP FERRULE/FLANGE ORDERING INFORMATION

STEP	1	2	3	4	
TYPICAL PART NUMBERS	4592	***	***	0	CRIMP FERRULE
	4593	***	***	0	CRIMP FLANGE

##### STEP 1 - BASIC SERIES

4592 - Crimp Ferrule  
4593 - Crimp Flange

##### STEPS 2 & 3 - DIAMETERS\*

##### STEP 4 - PLATING

0 - Standard plating.

\*\*\* Contact Technical Sales for part number completion which is determined by Customer-required cable diameters and type.

### CABLIZED CONNECTORS

**SAVE TIME AND MONEY!** Let Positronic support your connector requirements by cablizing your connector selection. Positronic offers technical support and manufacturing capability for cablized connectors. Contact your factory direct sales representative for details!







Positronic Industries  
connectpositronic.com

# FERRITE INDUCTOR BAR FOR EMI/RFI NOISE SUPPRESSION AND SAE-AS85049/48 METAL HOOD

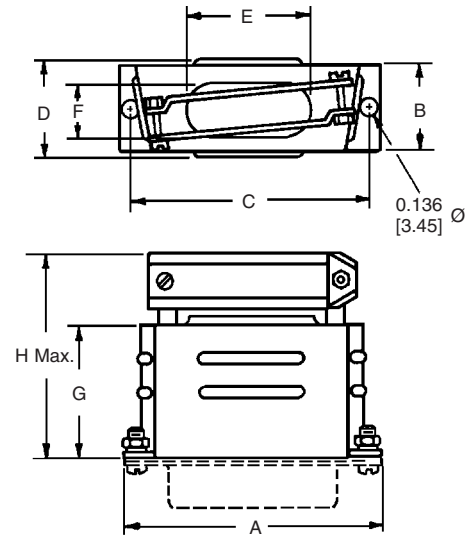
D-Sub  
Accessories

## METAL HOOD SAE-AS85049/48 CODE H

**Material:** Steel, zinc plate with chromate seal.

**NOTE:** Brass with gold plate finish is available for space applications. Contact Technical Sales for ordering information.

PART NO.	A	B	C	D MAX.	E	F	G	H MAX.
D15000H00	1.531 [38.88]	0.492 [12.50]	1.312 [33.32]	0.578 [14.68]	0.713 [18.11]	0.312 [7.92]	0.750 [19.05]	1.219 [30.96]
D25000H00	2.078 [52.78]	0.492 [12.50]	1.852 [47.04]	0.578 [14.68]	1.000 [25.40]	0.312 [7.92]	1.000 [25.40]	1.532 [38.91]
D37000H00	2.718 [69.03]	0.492 [12.50]	2.500 [63.50]	0.578 [14.68]	1.375 [34.93]	0.312 [7.92]	1.000 [25.40]	1.532 [38.91]
D50000H00	2.625 [66.68]	0.601 [15.27]	2.406 [61.11]	0.687 [17.45]	1.406 [35.71]	0.406 [10.31]	1.125 [28.58]	1.657 [42.09]



These metal hoods conform to SAE-AS85049/48. Use the following part numbers for ordering:

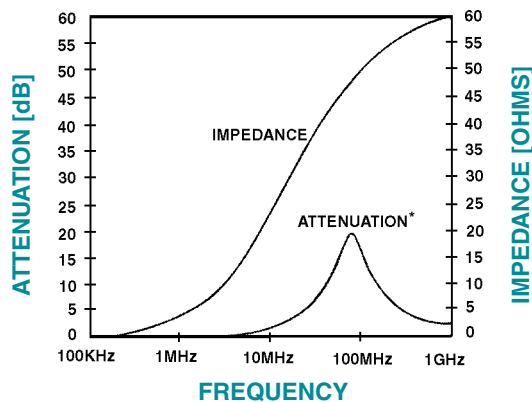
M85049/48-1-3

M85049/48-1-4

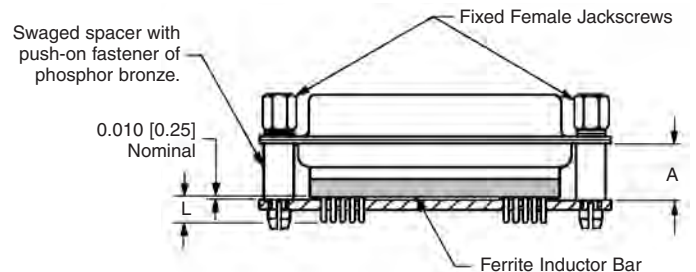
M85049/48-1-5

## FERRITE INDUCTOR BAR FOR EMI/RFI NOISE SUPPRESSION CODE F AND Q

### FILTERING CHARACTERISTICS

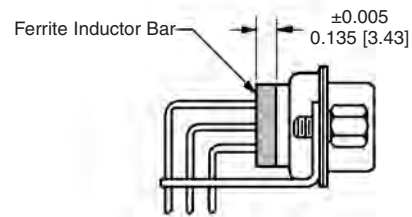


\* NO-LOAD CONDITION



### STRAIGHT PRINTED BOARD MOUNT CONNECTOR

**Material:** Nickel zinc ceramic.



### RIGHT ANGLE (90°) PRINTED BOARD MOUNT CONNECTOR

**NOTE:** This bar option is available for connector sizes 9, 15, 25, and 37. Ferrite beads are used for the other sizes. Contact Technical Sales for ferrite inductor ordering information on those connectors.

Specify Code F or Q in Step 6 of ordering information. F is for ferrite inductor and Q is for ferrite inductor with push-on fastener.

### FERRITE INDUCTOR AVAILABILITY

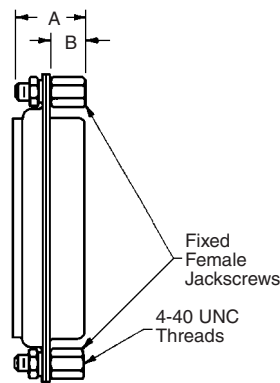
SERIES	CODE NUMBER	A	L
MD, MDX, HDC	32	0.375 [9.53]	0.240 [6.10]
ODD, CBDD		0.375 [9.53]	0.165 [4.19]
DD		0.515 [13.08]	0.165 [4.19]
HDC	36	0.375 [9.53]	0.101 [2.57]
MD, MDX	4	-----	-----
ODD	5	-----	-----
MD	59	-----	-----
MD, HDC	6	0.375 [9.53]	0.360 [9.14]



JACKSCREW SYSTEMS  
CODE T\*, T2\*, T3\*, T4\*, T5\*, E, E2, AND E3

T\*/T2\*/T3\*/T4\*/T5\*

CODE	A	B
T	0.437 [11.10]	0.250 [6.35]
T2	0.500 [12.70]	0.198 [5.03]
T3	0.812 [20.60]	0.198 [5.03]
T4	0.445 [11.30]	0.220 [5.59]
T5	0.448 [11.38]	0.198 [5.03]

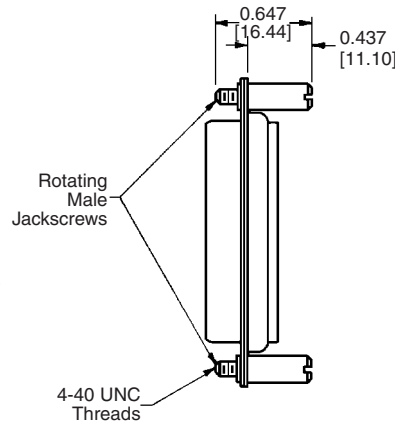


FIXED FEMALE JACKSCREWS

**\*\*Material:** T, T4, and T5 = Copper alloy or steel with zinc plate and chromate seal or tin plate; stainless steel, passivated.

T2 and T3 = Steel with zinc plate and chromate seal or tin plate; stainless steel, passivated.

E/E3

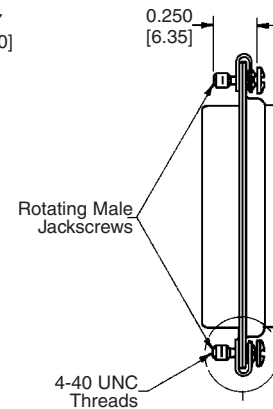


ROTATING MALE JACKSCREWS

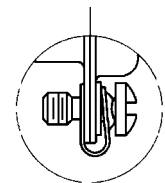
**\*\*Material:** Steel with zinc plate and chromate seal or tin plate; stainless steel, passivated.

E = slotted for screw driver  
E3 = rotating male with internal hex for 3/32 hex drives

E2



ROTATING MALE SCREW LOCKS



**\*\*Material:**  
**Screw:** Steel with zinc plate and chromate seal or tin plate; stainless steel, passivated.  
**U-Clip:** Spring steel with zinc plate and chromate seal or tin plate; stainless steel, passivated.

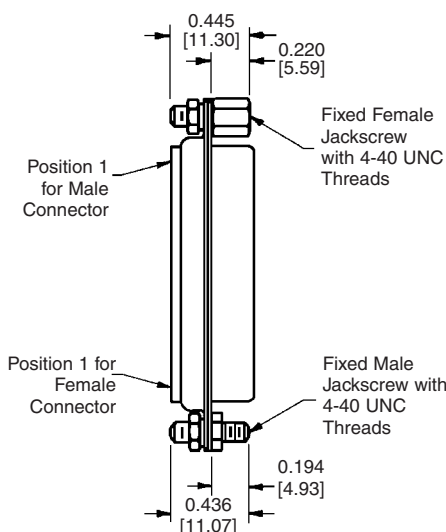
**\*Note:** T, T2, T3, T4 or T5 jackscrew supplied on connectors in combination with other accessories may differ dimensionally, contact Technical Sales for more information.



**\*\*Note:** T, T2, T3, T4, T5, E, E2 or E3 - Passivated stainless steel jackscrews available. Contact Technical Sales for ordering information.

POLARIZED JACKSCREW SYSTEMS  
CODE T6 AND E6

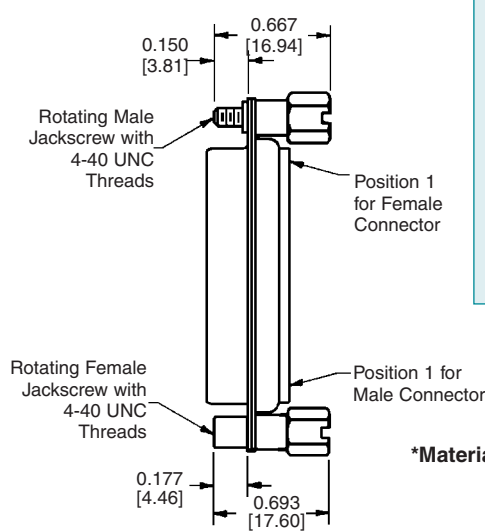
T6



FIXED MALE AND FEMALE JACKSCREWS

**\*Material:**  
**Male jackscrews:** Steel with zinc plate and chromate seal or tin plate; stainless steel, passivated.  
**Female jackscrews:** Copper alloy with zinc plate and chromate seal or tin plate; stainless steel, passivated.

E6\*\*



ROTATING MALE AND FEMALE JACKSCREWS

**\*Material:** Steel with zinc plate and chromate seal or tin plate; stainless steel, passivated.

**\*Note:** T6 or E6 Passivated stainless steel jackscrews available. Contact Technical Sales for ordering information.

**\*\*Note:** For customer installations of knobs onto jackscrews, recommend set screw torque value of 16 in/oz. Recommend application of thread lock to set screw.

# POSITRONIC CABLIZED CONNECTORS

***SAVE TIME AND MONEY!*** Let Positronic support your connector requirements by cablizing your ***D-subminiature*** connector selection. Positronic offers technical support and manufacturing capability for cablized connectors. Contact your factory direct sales representative for details!



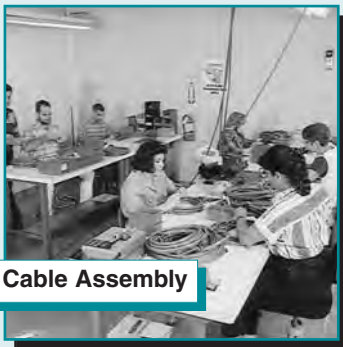
Springfield Cable Assembly



Engineering Management



Quality Assurance



Puerto Rico Cable Assembly

## **Design and Testing Service**

*Positronic Industries' Engineering Department:*

1. Works closely with customers.
2. Prepares component and cablized connector systems, hardware design, and performance specifications.
3. Designs each system in accordance with applicable customer, domestic, and international standards.
4. Defines and directs required performance and verification testing.

## POSITRONIC PRODUCTS

Power

**Contact Sizes:** 0, 8, 12, 16, 20 and 22  
**Current Ratings:** To 100 amperes  
**Terminations:** Crimp, wire solder, straight solder, right angle (90°) solder, straight press-fit and right angle (90°) press-fit  
**Configurations:** Multiple variants in a variety of package sizes  
**Compliance:** PICMG 2.11, PICMG 3.0, VITA 41



**FEATURES:** Hot swap capability • AC/DC operation in a single connector • Signal contacts for hardware management • Blind mating • Sequential mating • Large surface area contact mating system • Wide variety of accessories • Customer specified contact arrangements

D-subminiature

**Contact Sizes:** 8, 16, 20 and 22  
**Current Ratings:** To 40 amperes nominal  
**Terminations:** Crimp, wire solder, straight solder, right angle (90°) solder and straight press-fit  
**Configurations:** Multiple variants in both standard and high densities  
**Qualifications:** MIL-DTL-24308, Goddard Space Flight S-311-P, SAE AS 39029, IP65, IP67



**FEATURES:** Four performance levels available: professional, industrial, military and space-flight quality for best cost/performance ratio • Options include thermocouple contacts, air coupling, environmentally sealed and dual port package including mixed density • Broad selection of accessories

Rectangular

**Contact Sizes:** 16, 20 and 22  
**Current Ratings:** To 13 amperes  
**Terminations:** Crimp, wire solder, straight solder and right angle (90°) solder  
**Configurations:** Multiple variants in both standard and high densities  
**Qualifications:** MIL-DTL-28748, SAE AS 39029, CCITT V.35



**FEATURES:** Two performance levels available: industrial quality and military quality provide two performance to cost choices • Large surface area contact mating system • A wide variety of accessories • Broad selection of contact variants and package sizes

Circular

**Contact Sizes:** 12, 16, 20 and 22  
**Current Ratings:** To 25 amperes nominal  
**Terminations:** Crimp, wire solder, straight solder and right angle (90°) solder  
**Configurations:** Multiple variants  
**Qualifications:** Environmental protection to IP67



**FEATURES:** Non-corrodible / lightweight composite construction • EMI/RFI shielded versions • Thermocouple contacts • Environmentally sealed versions • Rear insertion/front release of removable contacts • Two level sequential mating • Overmolding available on full assemblies

Cable

All Positronic connector products can be supplied as part of cable assemblies whose technical characteristics would reflect those of the connectors being used within the assembly.



**FEATURES:** Shorten the supply chain and reduce additional costs and delays by "cablizing" • Overmolding available • Shielded and environmentally sealed versions available • Power cables and access boxes which meet the SAE J2496 specification

Hermetic

**Contact Sizes:** 8, 12, 16, 20 and 22  
**Current Ratings:** To 40 amperes nominal  
**Terminations:** Feedthrough is standard; flying leads and board mount available upon request  
**Configurations:** See D-subminiature and circular configurations above  
**Qualifications:** Space-D32



**FEATURES:** Intended for use as an electrical feedthrough in high vacuum applications • Leakage rate:  $5 \times 10^{-9}$  mbar.l/s @ vacuum  $1.5 \times 10^{-5}$  atm • Signal, power, coax and high voltage versions available • Connectors can be mounted on flange assembly per customer specification



## **NORTH AMERICAN LOCATIONS**

### **UNITED STATES, Springfield, Missouri, Corporate Headquarters**

Factory Sales and Engineering Offices (800) 641-4054

### **PUERTO RICO, Ponce Factory**

Factory Sales and Engineering Offices (800) 641-4054

### **MEXICO**

Factory Sales and Engineering Offices (800) 872-7674

### **CANADA**

Factory Sales and Engineering Offices (800) 327-8272

## **ASIA/PACIFIC LOCATIONS**

### **SINGAPORE, Asia/Pacific Headquarters**

Factory Sales and Engineering Offices (65) 6842 1419 [singapore@connectpositronic.com](mailto:singapore@connectpositronic.com)

### **ASIA, Direct Sales Offices**

China -Shenzhen Sales Office (86) 755 2643 7578 [shenzhen@connectpositronic.com](mailto:shenzhen@connectpositronic.com)

China -Shanghai Sales Office (86) 158 2907 9779 [shanghai@connectpositronic.com](mailto:shanghai@connectpositronic.com)

China -Xian/Beijing Sales Office (86) 29 8839 5306 [xian@connectpositronic.com](mailto:xian@connectpositronic.com)

Korea Sales Office (82) 31 909 8047 or 8 [korea@connectpositronic.com](mailto:korea@connectpositronic.com)

Taiwan Sales Office (88) 62 2937 8775 [taiwan@connectpositronic.com](mailto:taiwan@connectpositronic.com)

### **JAPAN, Direct Sales Offices**

Sales and Engineering Offices (81) 3 5812 7720 [japan@connectpositronic.com](mailto:japan@connectpositronic.com)

### **INDIA, Direct Sales Offices**

Factory Sales and Engineering Offices (91) 20 2439 4810 [india@connectpositronic.com](mailto:india@connectpositronic.com)

Bangalore Sales Office [bangalore@connectpositronic.com](mailto:bangalore@connectpositronic.com)

New Delhi Sales Office [delhi@connectpositronic.com](mailto:delhi@connectpositronic.com)

### **ASIA/PACIFIC, Technical Agents**

Technical Agents in Malaysia, Australia, New Zealand, Philippines, Hong Kong, Vietnam, Thailand

## **EUROPEAN LOCATIONS**

### **FRANCE, Auch Factory, European Headquarters**

Factory Sales and Engineering Offices 33 5 62 63 44 91 [contact@connectpositronic.com](mailto:contact@connectpositronic.com)

### **EUROPE, Direct Sales Offices**

Northern France Sales Office 33 1 45 88 13 88 [jchalaux@connectpositronic.com](mailto:jchalaux@connectpositronic.com)

Southern France Sales Office 33 5 62 63 44 91 [plafon@connectpositronic.com](mailto:plafon@connectpositronic.com)

Italy Sales Office 39 02 54 1161 06 [rmagni@connectpositronic.com](mailto:rmagni@connectpositronic.com)

Germany Sales Office 49 2351 63 47 39 [cbouche@connectpositronic.com](mailto:cbouche@connectpositronic.com)

UK Sales Office 44 1993 831 939 [lbridwell@connectpositronic.com](mailto:lbridwell@connectpositronic.com)

### **EUROPE, Technical Agents**

Technical Agents in Austria, Benelux, Eastern Europe Countries, Greece, Ireland, Scandinavia, Spain, Switzerland and the United Kingdom

### **MIDEAST, Technical Agents**

Technical Agents in Israel and Turkey



# **POSITRONIC™**

GLOBAL *Connector* SOLUTIONS

### **POSITRONIC INDUSTRIES, INC.**

423 N Campbell Avenue • PO Box 8247 • Springfield, MO 65801  
Tel (417) 866-2322 • Fax (417) 866-4115 • Toll Free (800) 641-4054  
[info@connectpositronic.com](mailto:info@connectpositronic.com)

### **POSITRONIC INDUSTRIES, S.A.S.**

Zone Industrielle d'Engachies • 46 Route d'Engachies  
France 32020 Auch Cedex 9  
Telephone 33 5 62 63 44 91 • Fax 33 5 62 63 51 17  
[contact@connectpositronic.com](mailto:contact@connectpositronic.com)

### **POSITRONIC ASIA PTE LTD.**

3014A Ubi Road 1 #07-01 • Singapore 408703  
Telephone (65) 6842 1419 • Fax (65) 6842 1421  
[singapore@connectpositronic.com](mailto:singapore@connectpositronic.com)

L  
O  
C  
A  
T  
I  
O  
N  
S



# ALUMINUM D-SUB HOOD



**POSITRONIC**<sup>®</sup>  
GLOBAL *Connector* SOLUTIONS



## Lightweight Aluminum D-Sub Hood

- ▶ Lightweight
- ▶ Low Residual Magnetism
- ▶ Internal Grounding



Look for our  
**NEW**  
Products

- ▶ Wide Aperture
- ▶ EMI Shielding
- ▶ Spacious Interior
- ▶ Slide Lock or Jackscrews
- ▶ Thumb Grip
- ▶ All Shell Sizes



Catalog C-007-1 Rev. A





Positronic Industries  
connectpositronic.com

# GENERAL INFORMATION

Lightweight  
Aluminum  
D-sub Hood

This product has been designed for use in applications as a lightweight, EMI hood for D-subminiature connectors. The features of the product are outlined below. Please contact Technical Sales for pricing and additional options. For other hoods, please consult the D-subminiature Accessories catalog.

## GROUND SCREWS

- ♦ Sized and spaced for use with 0.250 inch [6.35mm] diameter ring terminals
- ♦ Ground shelf height and ground screw length allow for stacking of ring terminals
- ♦ Holes are pre-tapped for ease of installation
- ♦ Ground screws are located outside the exiting wire path to facilitate wire routing
- ♦ Ground holes are tapped through to the outside which provide for optional external grounding

## SPACIOUS INTERIOR

- ♦ Shape maximizes internal area which facilitates harness assembly
- ♦ No obstructions behind any portion of the connector body allows hood to be used with Combo-D connectors

## APERTURE / STRAIN RELIEF

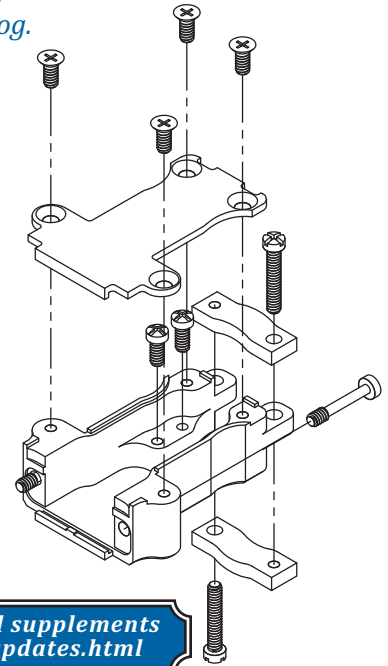
- ♦ Appropriate for high density wire bundles using twisted, shielded pairs
- ♦ Cable clamps can be "spooned" to provide strain relief for small wire bundle
- ♦ Wide form factor allows the user to easily meet bend radius requirements

## THUMB GRIP

- ♦ Grip facilitates installation and removal in tight spaces

## LOCKING SYSTEM

- ♦ Available with jackscrews or vibration slide lock



Visit our website for the latest catalog updates and supplements at <http://www.connectpositronic.com/catalogs/updates.html>

## TECHNICAL CHARACTERISTICS

### MATERIAL AND FINISHES:

**Hood & Cable Clamps:** Aluminum; aluminum with electroless nickel plate; aluminum with yellow anodize; aluminum with yellow chromate conversion. Zinc content is 1% maximum. **NEW!**

**Jackscrews & Screws:** Steel with nickel plate; brass with zinc plate and chromate seal.

**Lock Lever & Lock Tabs:** Steel with nickel plate.

### MECHANICAL CHARACTERISTICS:

**Ground Screws:** Can accept up to 0.250 inch [6.35mm] diameter ring terminal.

**Locking System:** Jackscrews and vibration locking system.

### ELECTRICAL CHARACTERISTICS:

**Range of Operation, Calculated Method:** 2 GHz minimum.

**Residual Magnetism:** Contact Technical Sales for values.

### CLIMATIC CHARACTERISTICS:

**Temperature Range:** -55°C to +125°C

### RoHS COMPLIANCY:

Available upon request. Add "/AA" to the end of the part number to indicate RoHS. For example, D25000ANVL0 would become D25000ANVL0/AA.

### DIMENSIONAL TOLERANCES:

Unless otherwise specified, dimensional tolerances are:  
1.) ± 0.005 inch [0.13mm] for diameters  
2.) ± 0.015 inch [0.38mm] for all other dimensions

### WEIGHT CHART: **NEW!**

\*1 - designates hood size in part number

HOOD SIZE	D*1000ANVL ounces [grams]	D*1000ANE ounces [grams]
9	1.43 [40.50]	1.08 [30.54]
15	1.60 [45.24]	1.32 [37.44]
25	1.95 [55.22]	1.62 [45.92]
29	Contact Technical Sales	
37	2.53 [71.60]	2.19 [62.06]
50	2.61 [74.00]	2.26 [63.94]
104	n/a	2.41 [68.44]

All hardware in a hood assembly including cable clamps, screws, etc.

Contact Technical Sales for weights on T2, E6, E7 and V3 hardware options.

POSITRONIC® IS AN ITAR REGISTERED COMPANY

Positronic Industries'  
**FEDERAL SUPPLY CODE (Cage Code)**  
FOR MANUFACTURERS is **28198**

Products described within this catalog may be protected by one or more of the following US patents:

#4,900,261 #5,255,580 #5,329,697 #6,260,268 #6,835,079 #7,115,002

Patented in Canada, 1992 Other Patents Pending

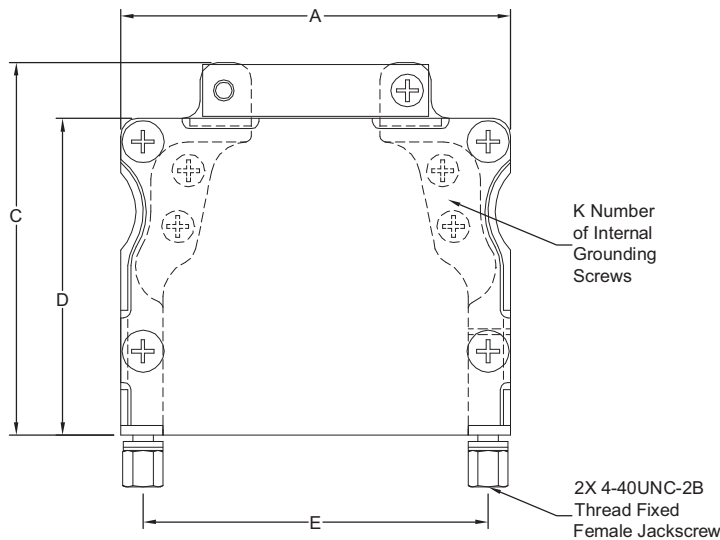
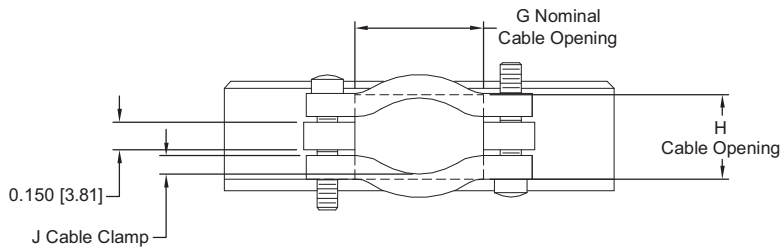
Information in this catalog is proprietary to Positronic and its subsidiaries. Positronic believes the data contained herein to be reliable. Since the technical information is given free of charge, the user employs such information at his own discretion and risk. Positronic Industries assumes no responsibility for results obtained or damages incurred from use of such information in whole or in part.

Positronic®, Positronic Industries, Inc.®, P+ logo, Positronic Global Connector Solutions®, Connector Excellence® and their logo designs are also registered trademarks of Positronic Industries, Inc.



## FIXED FEMALE JACKSCREWS CODE T2

Typical Part Numbers:  
**D25000ANT20**  
**D25000ANT20/AA**



MATERIAL & FINISH OPTIONS		
PART NUMBER	Hood & Cable Clamp Finish	Hardware Material & Finish
N	nickel	steel with nickel plate
C	no finish	steel with nickel plate
OPTIONAL MATERIAL & FINISHES		
A	anodize	steel with nickel plate
B	anodize	brass with zinc plate and chromate seal
D	no finish	brass with zinc plate and chromate seal
I	yellow chromate conversion	steel with nickel plate
J	yellow chromate conversion	brass with zinc plate and chromate seal



**D15000ANT20/AA - Lightweight aluminum hood with fixed female jackscrews, pictured above with connector installed.**

Also available with **Polarized Fixed Jackscrews**. Contact Technical Sales for details.

SHELL SIZE	CONNECTOR / CONTACT VARIANT COMPATIBILITY	PART NUMBER	A	B	C	D	E	G	H		J	K
									Min.*2	Max.		
1	Std-D: 9 High-D: 15 Combo-D: 5W1, 2WK2 Combo-D High-D: 8W2	D9000A**T20	1.219 [30.96]	0.586 [14.88]	2.000 [50.08]	1.700 [43.18]	0.984 [24.99]	0.362 [9.19]	0.240 [6.10]	0.453 [11.51]	0.050 [1.27]	4
2	Std-D: 15 High-D: 26 Combo-D: 3W3, 3WK3, 7W2, 11W1 Combo-D High-D: 19W1	D15000A**T20	1.547 [39.29]	0.586 [14.88]	2.000 [50.08]	1.700 [43.18]	1.312 [33.32]	0.690 [17.53]	0.350 [8.89]	0.453 [11.51]	0.100 [2.54]	4
3	Std-D: 25 High-D: 44 Combo-D: 5W5, 9W4, 13W3, 17W2, 21W1 Combo-D High-D: 15W4	D25000A**T20	2.094 [53.19]	0.586 [14.88]	2.000 [50.08]	1.700 [43.18]	1.852 [47.04]	0.690 [17.53]	0.350 [8.89]	0.453 [11.51]	0.100 [2.54]	4
--	Std-D: 29 High-D: n/a Combo-D: n/a Combo-D High-D: n/a	D29000A**T20	1.776 [45.11]	0.689 [17.73]	2.000 [50.08]	1.700 [43.18]	1.534 [38.96]	0.690 [17.53]	0.350 [8.89]	0.564 [14.33]	0.100 [2.54]	4
4	Std-D: 37 High-D: 62 Combo-D: 8W8, 13W6, 17W5, 21WA4, 25W3 Combo-D High-D: 45W2	D37000A**T20	2.736 [69.49]	0.586 [14.88]	2.250 [57.15]	1.950 [49.53]	2.500 [63.50]	1.242 [31.55]	0.410 [10.41]	0.453 [11.51]	0.130 [3.30]	6
5	Std-D: 50 High-D: 78 Combo-D: 24W7, 36W4, 43W2, 47W1 Combo-D High-D: n/a	D50000A**T20	2.642 [67.11]	0.689 [17.73]	2.250 [57.15]	1.950 [49.53]	2.406 [61.11]	1.242 [31.55]	0.410 [10.41]	0.564 [14.33]	0.130 [3.30]	6

\*1 - part number designates hood & cable clamp finish options and hardware material & finish options, see chart at top of page to choose plating option.

\*2 - smaller cable openings may be achieved by inverting one or both cable clamps.



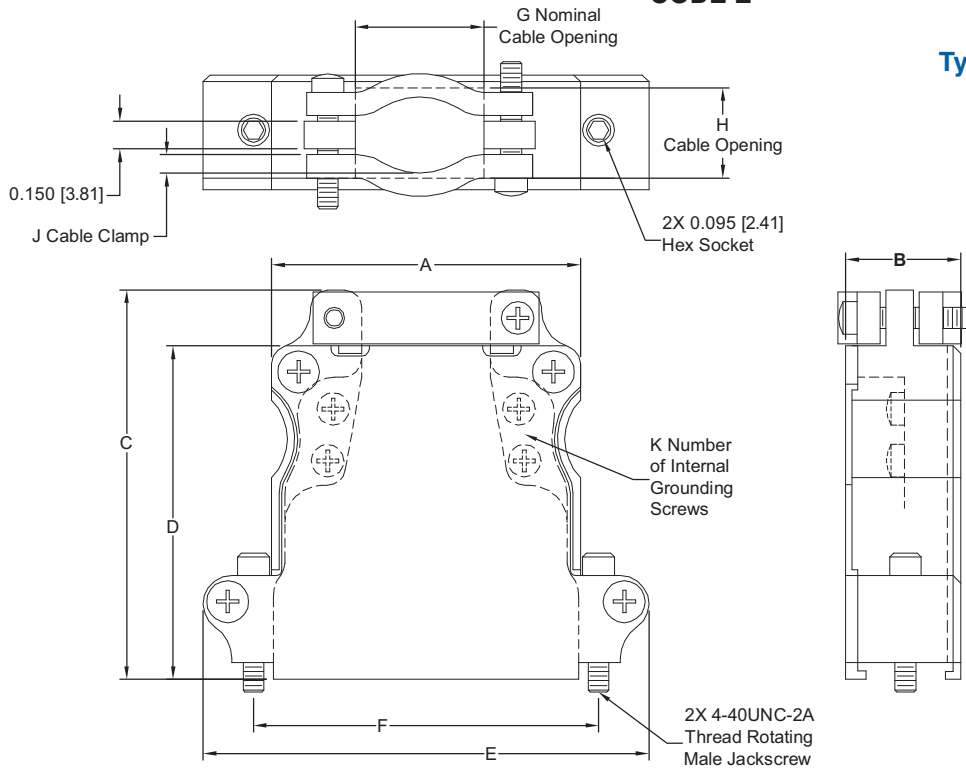
Positronic Industries  
connectpositronic.com

# ALUMINUM HOOD WITH ROTATING JACKSCREWS

Lightweight  
Aluminum  
D-sub Hood

## ROTATING MALE JACKSCREWS

CODE E



Typical Part Numbers:  
D25000ANE0  
D25000ANE0/AA

*For more information*  
review *Material & Finish* and  
*Connector Compatibility*  
charts on page 5.

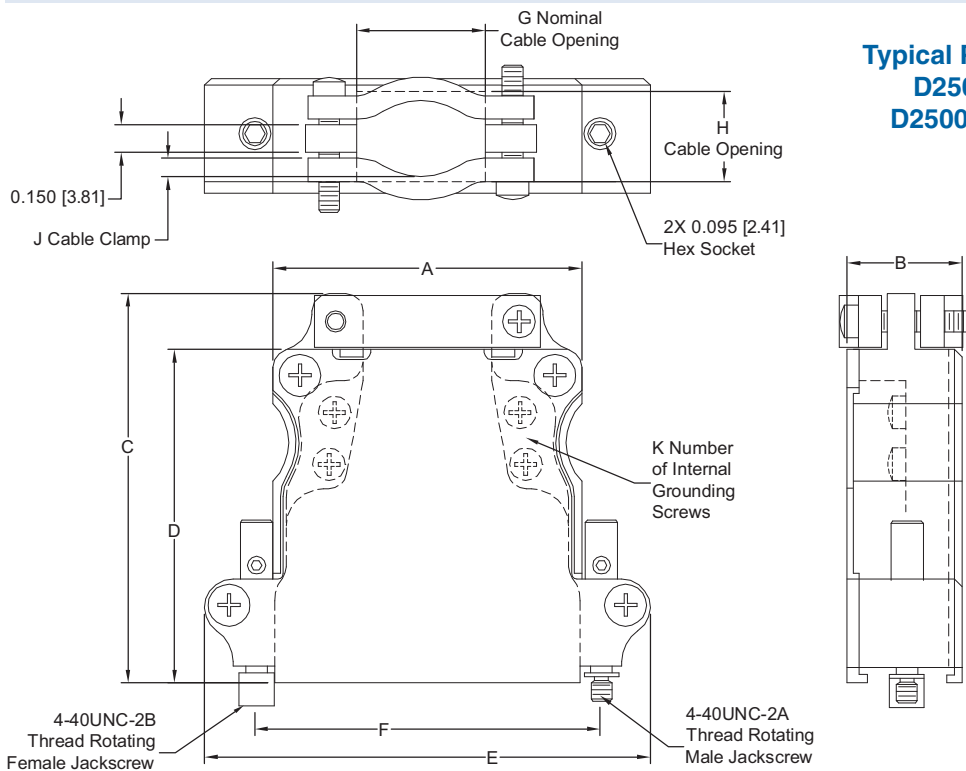
*Do you need 2-D drawings*  
or *3-D models?*

Once you have made a connector selection, contact Technical Sales if you would like a 2-D drawing or 3-D model. If we do not have your specific part number on file, we can create one for you. Or, please visit [www.connectpositronic.com](http://www.connectpositronic.com) and use the search function.



## POLARIZED ROTATING JACKSCREWS

CODE E6



Typical Part Numbers:  
D25000ANE60  
D25000ANE60/AA

*For more information*  
review *Material & Finish* and  
*Connector Compatibility*  
charts on page 5.

## POSITRONIC CABLIZED CONNECTORS

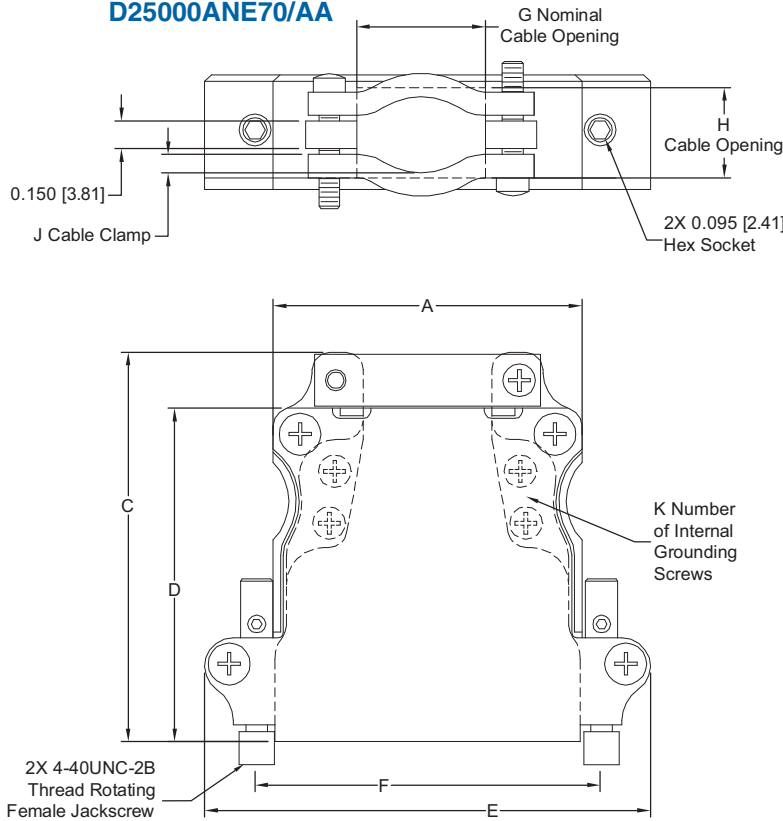
**SAVE TIME AND MONEY!**

Let Positronic support your connector requirements by cablizing your **Lightweight Aluminum D-sub Hood** connector selection. Positronic offers technical support and manufacturing capability for cablized connectors. Contact Technical Sales for details!

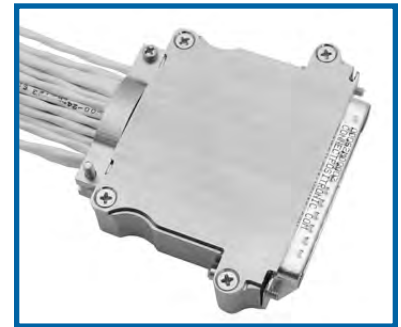
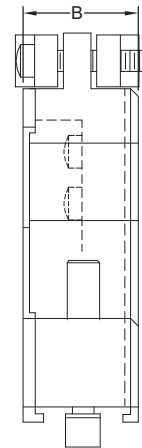


## ROTATING FEMALE JACKSCREWS CODE E7

Typical Part Numbers:  
**D25000ANE70**  
**D25000ANE70/AA**



MATERIAL & FINISH OPTIONS		
PART NUMBER	Hood & Cable Clamp Finish	Hardware Material & Finish
N	nickel	steel with nickel plate
C	no finish	steel with nickel plate
OPTIONAL MATERIAL & FINISHES		
A	anodize	steel with nickel plate
B	anodize	brass with zinc plate and chromate seal
D	no finish	brass with zinc plate and chromate seal
I	yellow chromate conversion	steel with nickel plate
J	yellow chromate conversion	brass with zinc plate and chromate seal



**D37000ANE0/AA - Lightweight aluminum hood with rotating male jackscrews, pictured above with connector installed.**

SHELL SIZE	CONNECTOR / CONTACT VARIANT COMPATIBILITY	PART NUMBERS	A	B	C	D	E	F	G	H		J	K
										Min.*2	Max.		
1	Std-D: 9 High-D: 15 Combo-D: 5W1, 2WK2 Combo-D High-D: 8W2	D9000A*1E0 D9000A*1E60 D9000A*1E70	0.908 [23.06]	0.616 [15.65]	2.090 [53.09]	1.790 [45.47]	1.524 [38.71]	0.984 [24.99]	0.362 [9.19]	0.240 [6.10]	0.483 [12.27]	0.050 [1.27]	4
2	Std-D: 15 High-D: 26 Combo-D: 3W3, 3WK3, 7W2, 11W1 Combo-D High-D: 19W1	D15000A*1E0 D15000A*1E60 D15000A*1E70	1.236 [31.39]	0.616 [15.65]	2.090 [53.09]	1.790 [45.47]	1.852 [47.04]	1.312 [33.32]	0.690 [17.53]	0.350 [8.89]	0.483 [12.27]	0.100 [2.54]	4
3	Std-D: 25 High-D: 44 Combo-D: 5W5, 9W4, 13W3, 17W2, 21W1 Combo-D High-D: 15W4	D25000A*1E0 D25000A*1E60 D25000A*1E70	1.656 [42.06]	0.616 [15.65]	2.090 [53.09]	1.790 [45.47]	2.392 [60.76]	1.852 [47.04]	0.690 [17.53]	0.350 [8.89]	0.483 [12.27]	0.100 [2.54]	4
4	Std-D: 29 High-D: n/a Combo-D: n/a Combo-D High-D: n/a	D29000A*1E0 D29000A*1E60 D29000A*1E70	1.338 [33.99]	0.727 [18.47]	2.090 [53.09]	1.790 [45.47]	2.074 [52.68]	1.534 [38.96]	0.690 [17.53]	0.350 [8.89]	0.594 [15.09]	0.100 [2.54]	4
4	Std-D: 37 High-D: 62 Combo-D: 8W8, 13W6, 17W5, 21WA4, 25W3 Combo-D High-D: 45W2	D37000A*1E0 D37000A*1E60 D37000A*1E70	2.304 [58.52]	0.616 [15.65]	2.340 [59.44]	2.040 [51.82]	3.040 [77.22]	2.500 [63.50]	1.242 [31.55]	0.410 [10.41]	0.483 [12.27]	0.130 [3.30]	6
5	Std-D: 50 High-D: 78 Combo-D: 24W7, 36W4, 43W2, 47W1 Combo-D High-D: n/a	D50000A*1E0 D50000A*1E60 D50000A*1E70	2.210 [56.13]	0.727 [18.47]	2.340 [59.44]	2.040 [51.82]	2.946 [74.83]	2.406 [61.11]	1.242 [31.55]	0.410 [10.41]	0.594 [15.09]	0.130 [3.30]	6
6	Std-D: n/a High-D: 104 Combo-D: 46W4 Combo-D High-D: n/a	D104000A*1E0 D104000A*1E60 D104000A*1E70	2.304 [58.52]	0.790 [20.07]	2.340 [59.44]	2.040 [51.82]	3.040 [77.22]	2.500 [63.50]	1.242 [31.55]	0.410 [10.41]	0.657 [16.69]	0.130 [3.30]	6



\*1 - part number designates hood & cable clamp finish options and hardware material & finish options, see chart at top of page to choose plating option.

\*2 - smaller cable openings may be achieved by inverting one or both cable clamps.





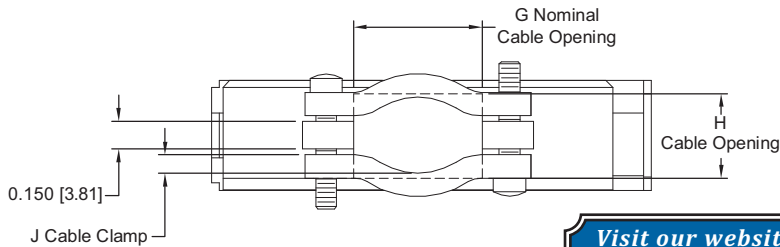
Positronic Industries  
connectpositronic.com

# ALUMINUM HOOD WITH VIBRATION LOCK LEVER

Lightweight  
Aluminum  
D-sub Hood

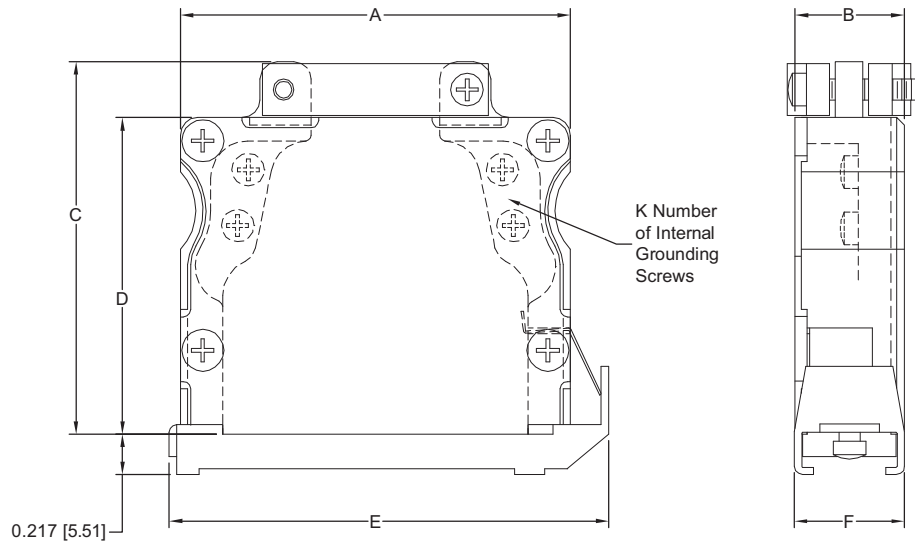
## VIBRATION LOCK LEVER CODE VL

Typical Part Numbers:  
**D25000ANVL0**  
**D25000ANVL0/AA**




MATERIAL & FINISH OPTIONS		
PART NUMBER	Hood & Cable Clamp Finish	Hardware Material & Finish
N	nickel	steel with nickel plate
C	no finish	steel with nickel plate
OPTIONAL MATERIAL & FINISHES		
A	anodize	steel with nickel plate
I	yellow chromate conversion	steel with nickel plate

Visit our website for the latest catalog updates and supplements at <http://www.connectpositronic.com/catalogs/updates.html>



**D25000ANVL0/AA - Lightweight aluminum hood with vibration lock lever, pictured above with connector installed.**

SHELL SIZE	CONNECTOR / CONTACT VARIANT COMPATIBILITY	PART NUMBER	A	B	C	D	E	F	G	H		J	K
										Min.*2	Max.		
1	Std-D: 9 High-D: 15 Combo-D: 5W1, 2WK2 Combo-D High-D: 8W2	D9000A*VL0	1.219 [30.96]	0.586 [14.88]	2.000 [50.08]	1.700 [43.18]	1.460 [37.08]	0.592 [15.04]	0.362 [9.19]	0.240 [6.10]	0.453 [11.51]	0.050 [1.27]	4
2	Std-D: 15 High-D: 26 Combo-D: 3W3, 3WK3, 7W2, 11W1 Combo-D High-D: 19W1	D15000A*VL0	1.547 [39.29]	0.586 [14.88]	2.000 [50.08]	1.700 [43.18]	1.770 [44.96]	0.592 [15.04]	0.690 [17.53]	0.350 [8.89]	0.453 [11.51]	0.100 [2.54]	4
3	Std-D: 25 High-D: 44 Combo-D: 5W5, 9W4, 13W3, 17W2, 21W1 Combo-D High-D: 15W4	D25000A*VL0	2.094 [53.19]	0.586 [14.88]	2.000 [50.08]	1.700 [43.18]	2.360 [59.94]	0.592 [15.04]	0.690 [17.53]	0.350 [8.89]	0.453 [11.51]	0.100 [2.54]	4
	Std-D: 29 High-D: n/a Combo-D: n/a Combo-D High-D: n/a	D29000A*VL0	1.776 [45.11]	0.689 [17.73]	2.000 [50.08]	1.700 [43.18]	2.030 [51.56]	0.715 [18.16]	0.690 [17.53]	0.350 [8.89]	0.564 [14.33]	0.100 [2.54]	4
4	Std-D: 37 High-D: 62 Combo-D: 8W8, 13W6, 17W5, 21WA4, 25W3 Combo-D High-D: 45W2	D37000A*VL0	2.736 [69.49]	0.586 [14.88]	2.250 [57.15]	1.950 [49.53]	3.015 [76.58]	0.592 [15.04]	1.242 [31.55]	0.410 [10.41]	0.453 [11.51]	0.130 [3.30]	6
5	Std-D: 50 High-D: 78 Combo-D: 24W7, 36W4, 43W2, 47W1 Combo-D High-D: n/a	D50000A*VL0	2.642 [67.11]	0.689 [17.73]	2.250 [57.15]	1.950 [49.53]	2.900 [73.66]	0.715 [18.16]	1.242 [31.55]	0.410 [10.41]	0.564 [14.33]	0.130 [3.30]	6

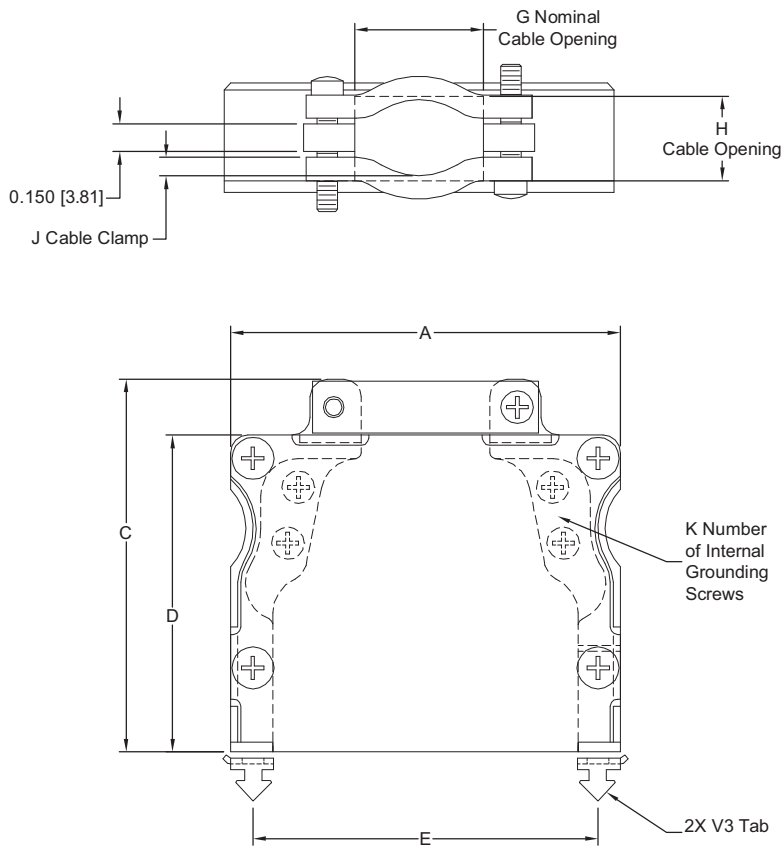
6 DIMENSIONS ARE IN INCHES [MILLIMETERS]. ALL DIMENSIONS ARE SUBJECT TO CHANGE.

\*1 - part number designates hood & cable clamp finish options and hardware material & finish options, see chart at top of page to choose plating option.  
\*2 - smaller cable openings may be achieved by inverting one or both cable clamps.



## VIBRATION LOCK TAB CODE V3

Typical Part Numbers:  
**D25000ANV30**  
**D25000ANV30/AA**



MATERIAL & FINISH OPTIONS		
PART NUMBER	Hood & Cable Clamp Finish	Hardware Material & Finish
N	nickel	steel with nickel plate
C	no finish	steel with nickel plate
OPTIONAL MATERIAL & FINISHES		
A	anodize	steel with nickel plate
I	yellow chromate conversion	steel with nickel plate



**D25000ANV30/AA - Lightweight aluminum hood with vibration lock tab, pictured above with connector installed.**

Also available with  
**Rear panel mounting vibration locking system**, see D-subminiature Accessories catalog or contact Technical Sales for details.

SHELL SIZE	CONNECTOR / CONTACT VARIANT COMPATIBILITY	PART NUMBER	A	B	C	D	E	F	G	H		J	K
										Min.*2	Max.		
1	Std-D: 9 High-D: 15 Combo-D: 5W1, 2WK2 Combo-D High-D: 8W2	D9000A*1V30	1.219 [30.96]	0.586 [14.88]	2.000 [50.08]	1.700 [43.18]	0.984 [24.99]	0.465 [11.81]	0.362 [9.19]	0.240 [6.10]	0.453 [11.51]	0.050 [1.27]	4
2	Std-D: 15 High-D: 26 Combo-D: 3W3, 3WK3, 7W2, 11W1 Combo-D High-D: 19W1	D15000A*1V30	1.547 [39.29]	0.586 [14.88]	2.000 [50.08]	1.700 [43.18]	1.312 [33.32]	0.465 [11.81]	0.690 [17.53]	0.350 [8.89]	0.453 [11.51]	0.100 [2.54]	4
3	Std-D: 25 High-D: 44 Combo-D: 5W5, 9W4, 13W3, 17W2, 21W1 Combo-D High-D: 15W4	D25000A*1V30	2.094 [53.19]	0.586 [14.88]	2.000 [50.08]	1.700 [43.18]	1.852 [47.04]	0.465 [11.81]	0.690 [17.53]	0.350 [8.89]	0.453 [11.51]	0.100 [2.54]	4
--	Std-D: 29 High-D: n/a Combo-D: n/a Combo-D High-D: n/a	D29000A*1V30	1.776 [45.11]	0.689 [17.73]	2.000 [50.08]	1.700 [43.18]	1.534 [38.96]	0.585 [14.86]	0.690 [17.53]	0.350 [8.89]	0.564 [14.33]	0.100 [2.54]	4
4	Std-D: 37 High-D: 62 Combo-D: 8W8, 13W6, 17W5, 21WA4, 25W3 Combo-D High-D: 45W2	D37000A*1V30	2.736 [69.49]	0.586 [14.88]	2.250 [57.15]	1.950 [49.53]	2.500 [63.50]	0.465 [11.81]	1.242 [31.55]	0.410 [10.41]	0.453 [11.51]	0.130 [3.30]	6
5	Std-D: 50 High-D: 78 Combo-D: 24W7, 36W4, 43W2, 47W1 Combo-D High-D: n/a	D50000A*1V30	2.642 [67.11]	0.689 [17.73]	2.250 [57.15]	1.950 [49.53]	2.406 [61.11]	0.585 [14.86]	1.242 [31.55]	0.410 [10.41]	0.564 [14.33]	0.130 [3.30]	6

\*1 - part number designates hood & cable clamp finish options and hardware material & finish options, see chart at top of page to choose plating option.

\*2 - smaller cable openings may be achieved by inverting one or both cable clamps.

## **NORTH AMERICAN LOCATIONS**

### **UNITED STATES, Springfield, Missouri, Corporate Headquarters**

Factory Sales and Engineering Offices (800) 641-4054 info@connectpositronic.com

### **PUERTO RICO, Ponce Factory**

Factory Sales and Engineering Offices (800) 641-4054 info@connectpositronic.com

### **MEXICO**

Factory Sales and Engineering Offices (800) 872-7674 info@connectpositronic.com

### **CANADA**

Factory Sales and Engineering Offices (800) 327-8272 info@connectpositronic.com

## **ASIA/PACIFIC LOCATIONS**

### **SINGAPORE, Asia/Pacific Headquarters**

Factory Sales and Engineering Offices (65) 6842 1419 singapore@connectpositronic.com

### **ASIA, Direct Sales Offices**

China -Shenzhen Sales Office (86) 755 2643 7578 shenzhen@connectpositronic.com

China -Shanghai Sales Office (86) 158 2907 9779 shanghai@connectpositronic.com

China -Xian/Beijing Sales Office (86) 29 8839 5306 xian@connectpositronic.com

Korea Sales Office (82) 31 909 8047 or 8 korea@connectpositronic.com

Taiwan Sales Office (88) 62 2937 8775 taiwan@connectpositronic.com

### **JAPAN, Direct Sales Offices**

Sales and Engineering Offices (81) 3 5812 7720 japan@connectpositronic.com

### **INDIA, Direct Sales Offices**

Factory Sales and Engineering Offices (91) 20 2439 4810 india@connectpositronic.com

Bangalore Sales Office bangalore@connectpositronic.com

New Delhi Sales Office delhi@connectpositronic.com

### **ASIA/PACIFIC, Technical Agents**

Technical Agents in Malaysia, Australia, New Zealand, Philippines, Hong Kong, Vietnam, Thailand

## **EUROPEAN LOCATIONS**

### **FRANCE, Auch Factory, European Headquarters**

Factory Sales and Engineering Offices 33 5 62 63 44 91 contact@connectpositronic.com

### **EUROPE, Direct Sales Offices**

Northern France Sales Office 33 1 45 88 13 88 jchalaux@connectpositronic.com

Southern France Sales Office 33 5 62 63 44 91 plafon@connectpositronic.com

Italy Sales Office 39 02 54 1161 06 rmagni@connectpositronic.com

Germany Sales Office 49 2351 63 47 39 cbouche@connectpositronic.com

UK Sales Office 44 1993 831 628 lbridwell@connectpositronic.com

### **EUROPE, Technical Agents**

Technical Agents in Austria, Benelux, Eastern Europe Countries, Greece, Ireland, Scandinavia, Spain, Switzerland and the United Kingdom

### **MIDEAST, Technical Agents**

Technical Agents in Israel and Turkey



# **POSITRONIC<sup>®</sup>**

GLOBAL *Connector* SOLUTIONS

### **POSITRONIC INDUSTRIES, INC.**

423 N Campbell Avenue • PO Box 8247 • Springfield, MO 65801  
Tel (417) 866-2322 • Fax (417) 866-4115 • Toll Free (800) 641-4054  
info@connectpositronic.com

### **POSITRONIC INDUSTRIES, S.A.S.**

Zone Industrielle d'Engachies • 46 Route d'Engachies  
France 32020 Auch Cedex 9  
Telephone 33 5 62 63 44 91 • Fax 33 5 62 63 51 17  
contact@connectpositronic.com

### **POSITRONIC ASIA PTE LTD.**

3014A Ubi Road 1 #07-01 • Singapore 408703  
Telephone (65) 6842 1419 • Fax (65) 6842 1421  
singapore@connectpositronic.com

L  
O  
C  
A  
L  
I  
T  
I  
O  
N  
S